

- 1.1 KIDES-DUO profile (item 1.1) (ref. 18032)
- 1.2 KIDES-DUO profile (item 1.2)
- 2. KIDES-DUO insert (ref. B7827)
- 3. ATRA profile (ref. B7454)\*\*
- 4. Washer\*
- 5. Gasket\*
- 6.1 Screw
- 6.2 Wall anchor
- 7. Gland\*
- 8. Spring\*
- 9. LED strip\*
- 10. Cover\*

- 11. Cover\*
- 12. Power supply (12 V / 24 V)\*
- 13. Electronics mounting pad\*
- 14. Bolt
- 15. Plastic rod\*
- 16. Pressure screw\*
- 17.1 End cap gasket\*
- 17.2 End cap pressure pad\*
- 17.3 End cap bolt\*
- 17.4 End cap masking cover\*

\*The full range of accessories and electronics is available at [www.KlusDesign.eu](http://www.KlusDesign.eu)

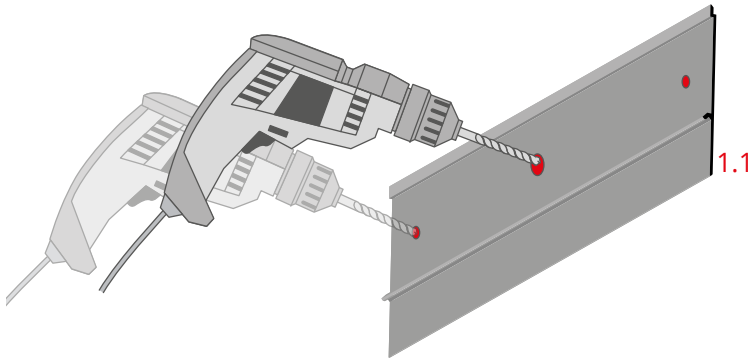
\*\*When choosing the profile length for the intended fixture, the ATRA profile should be kept accordingly longer than the other items of the KIDES-DUO profile.

**NOTE!** All LED tapes must be connected to a 12 V or 24 V power supply.

**IMPORTANT:** Not all possible mounting procedures are presented here. More mounting procedures and related accessories can be found at [www.KlusDesign.eu](http://www.KlusDesign.eu). Drawings of extrusions and accessories in these instructions are simplified and only approximate the actual shapes.

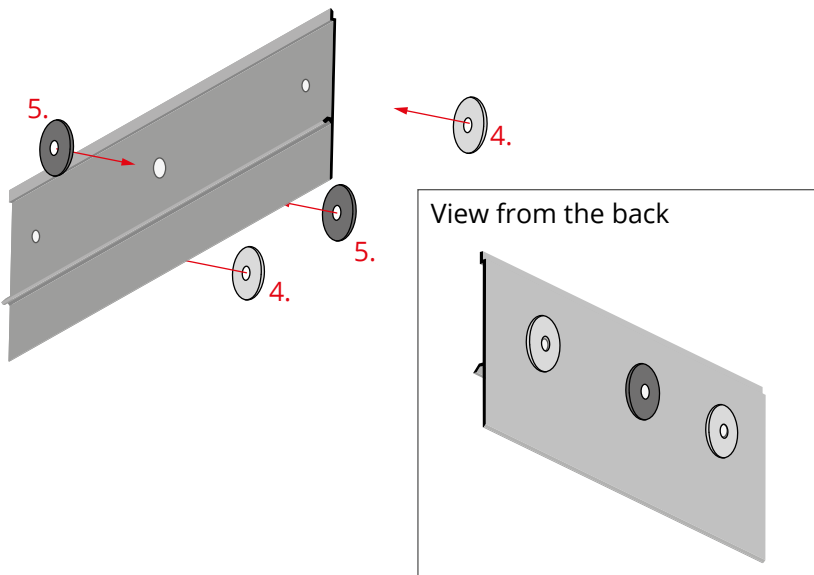
a) Preparation of the surface for mounting the fixture

Ia



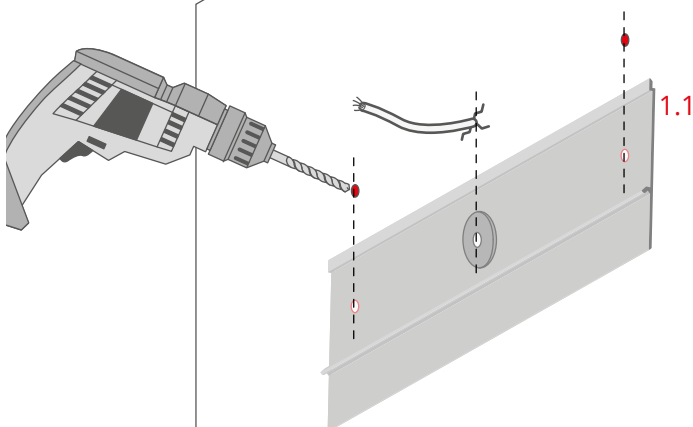
Drill the holes in the item (1.1) of the KIDES-DUO profile. Note the diameters of the side holes may need to be adjusted to accommodate the screws and middle hole may need to be adjusted to accommodate the 230 V / 120 V cable.

Ila



Adhere the gaskets (5) to both sides of the middle hole. Adhere the washers (4) to the back side of the profile on the screw holes.

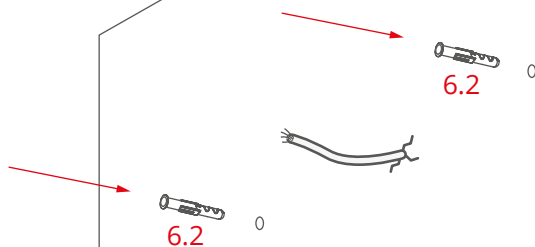
IIla



Drill screw holes in the wall on both sides of the 230 V / 120 V cable. Their position should reflect the holes in the item (1.1).

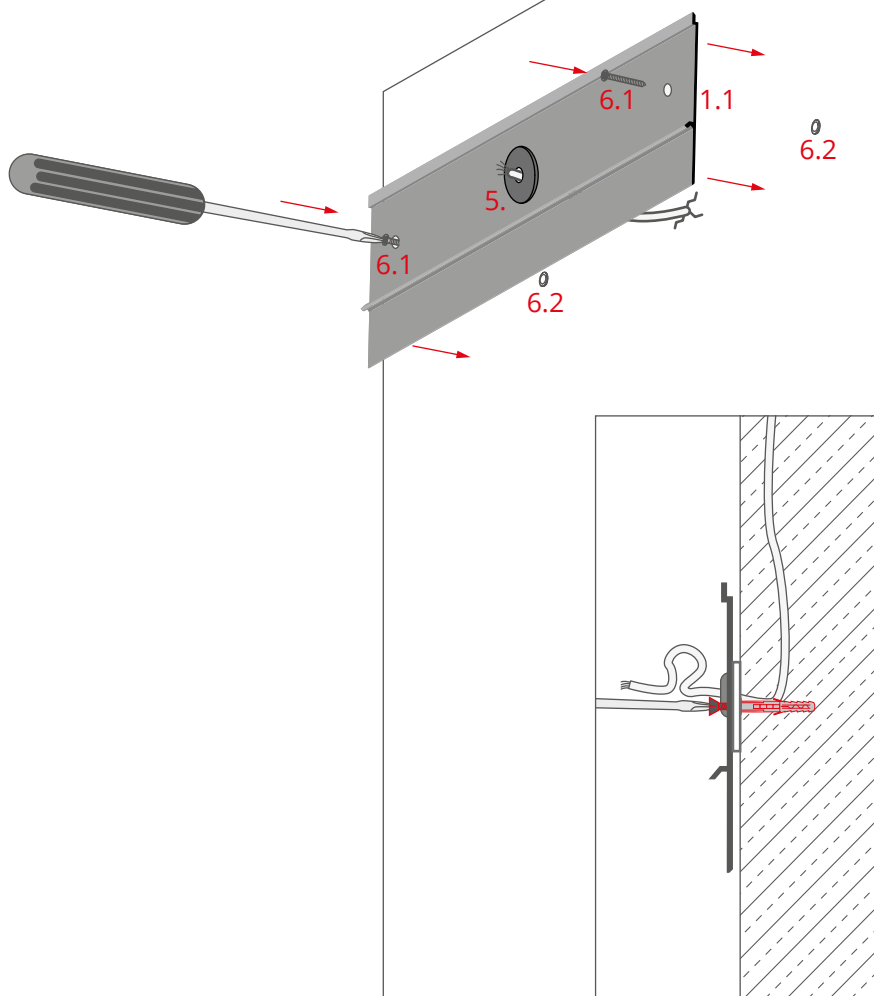
a) Preparation of the surface for mounting the fixture

IVa



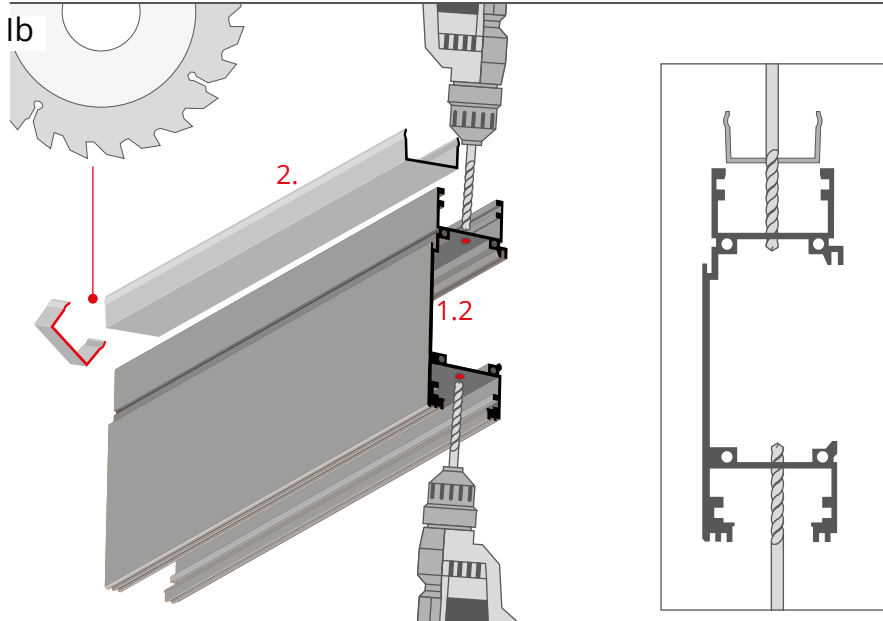
Put the wall anchors (6.2) into the pre-drilled holes.

Va



Lead the (230 V / 120 V) cable through the gasket. Then screw the item (1.1) to the wall with the use of screws (6.1), using the holes drilled on the sides and the wall anchors (6.2).

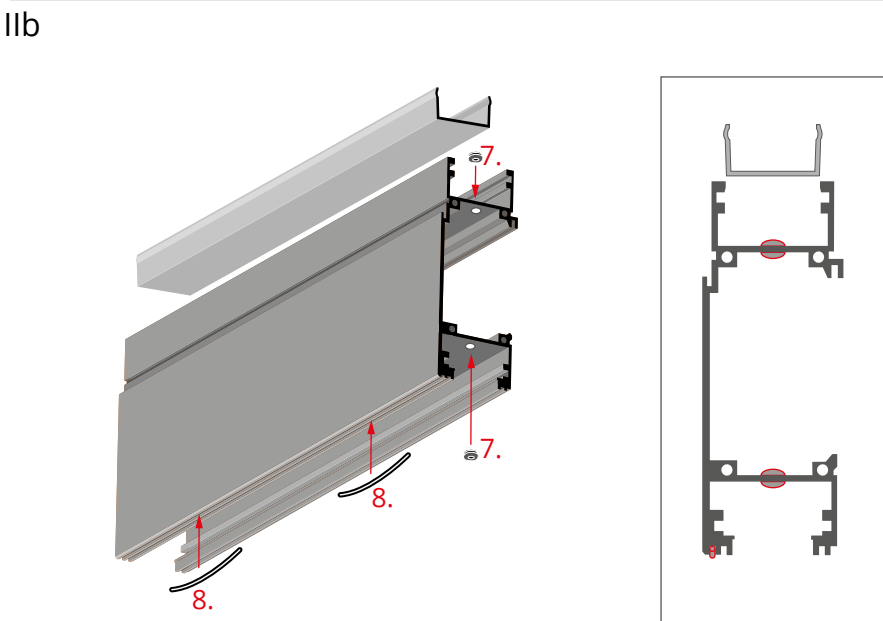
**Ib**



Drill two holes for cables in item (1.2).

Cut the KIDES-DUO insert (2) so the cable can be routed to the hole drilled below.

**IIb**

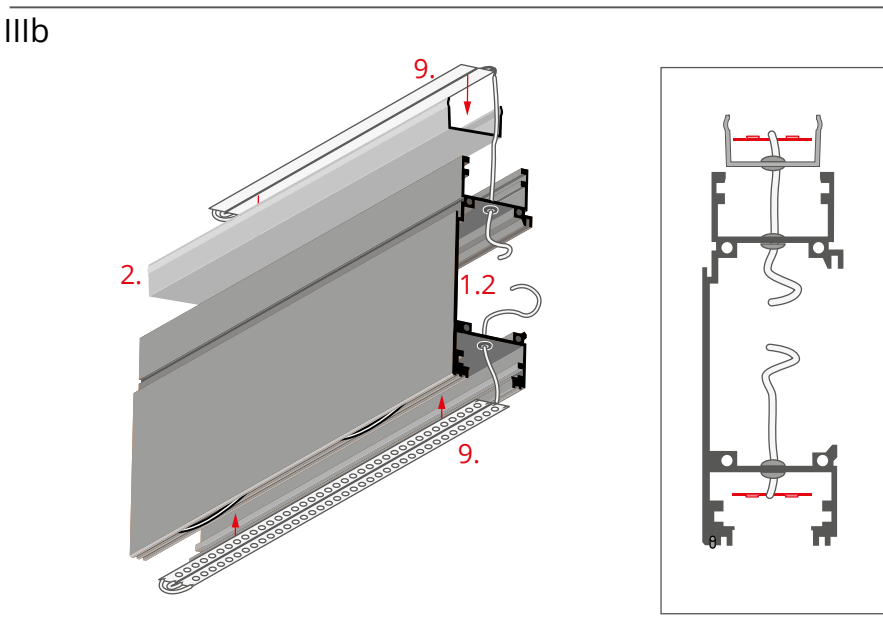


Mount the glands (7) in the holes. Place the springs (8) in the grooves in the lower section of the profile.

It is recommended to use the following amounts of springs:

- 2 pcs. for 1 m of the profile
- 3 pcs. for 2 m of the profile
- 4 pcs. for 3 m of the profile

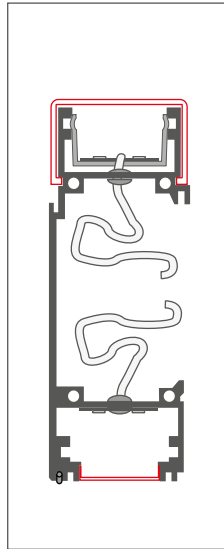
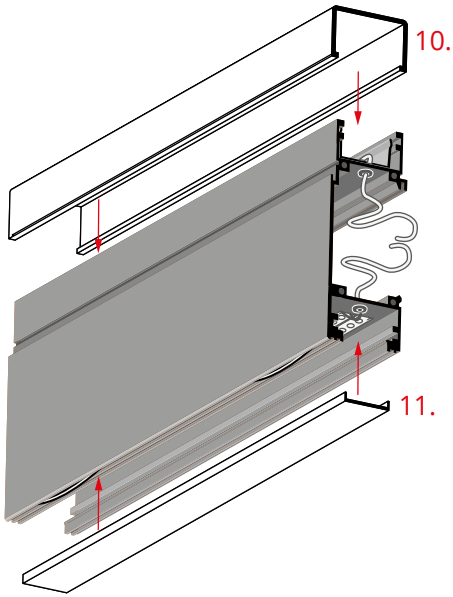
**IIIb**



Adhere the LED strips (9) to the KIDES-DUO insert (2) and into the lower chamber of item (1.2).

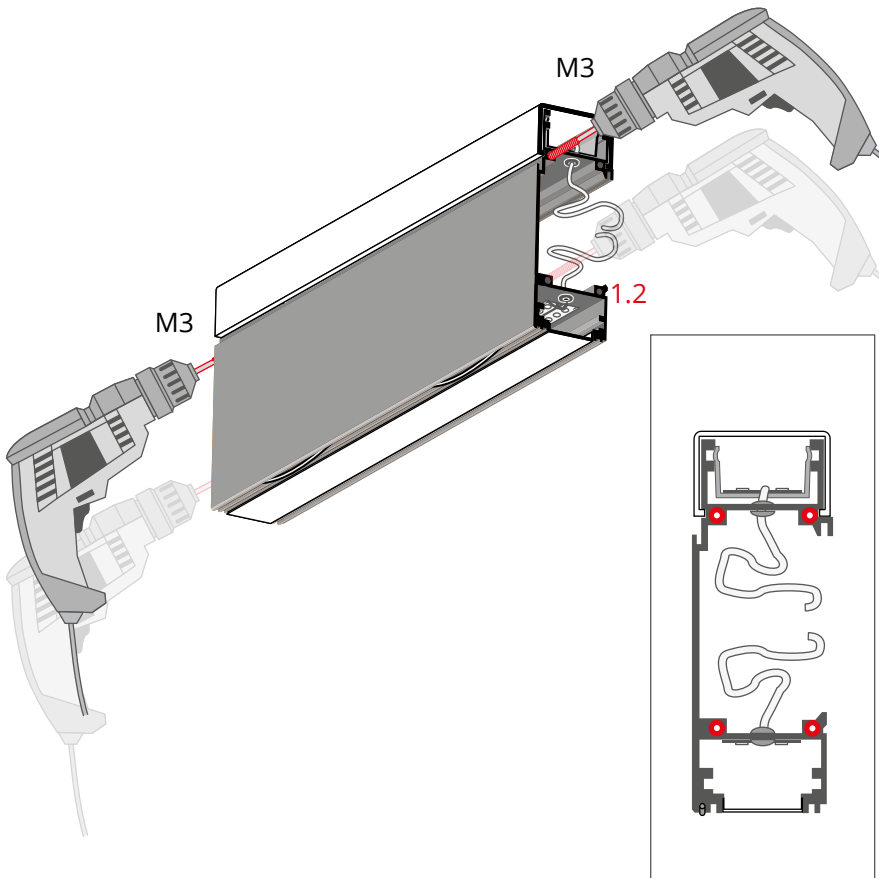
Lead the cables through the glands into the inside of the profile.

IVb



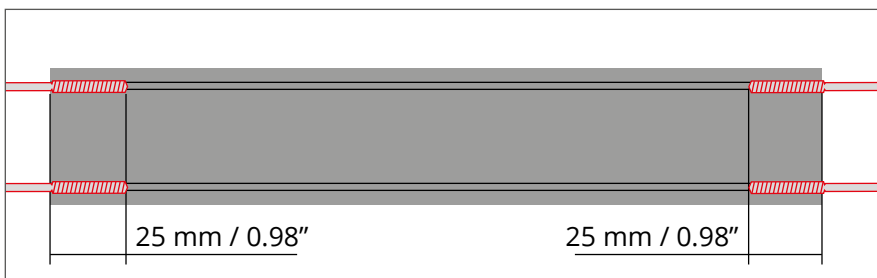
Mount the covers (10, 11).

Vb

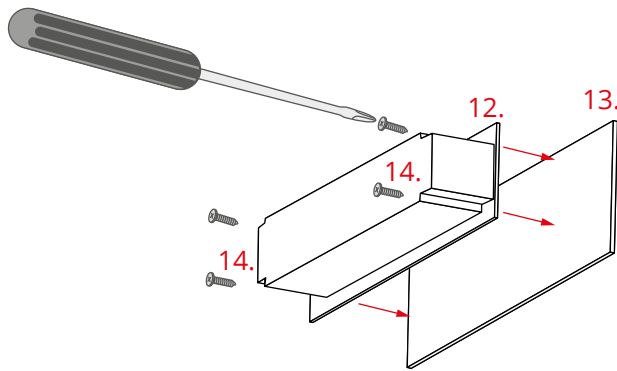


Thread the marked channels of the item (1.2) from both sides with the M3 screw tap.

The thread should be 25 mm / 0.98" deep.

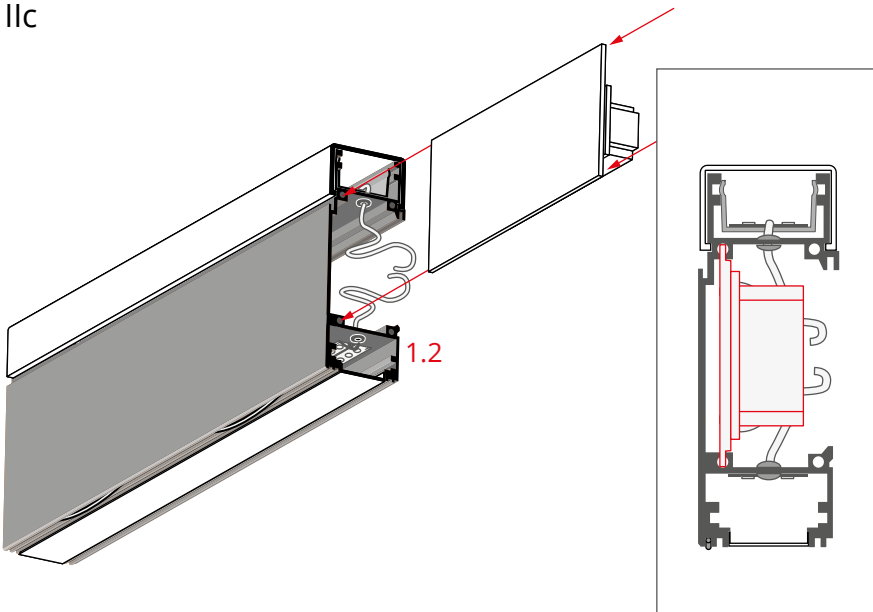


Ic



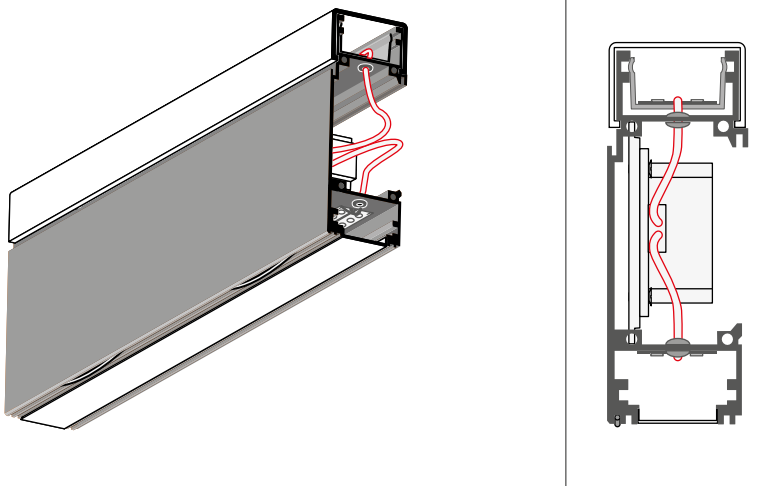
Mount the power supply 12 V / 24 V (12) to the mounting pad (13) with screws (14).

IIc

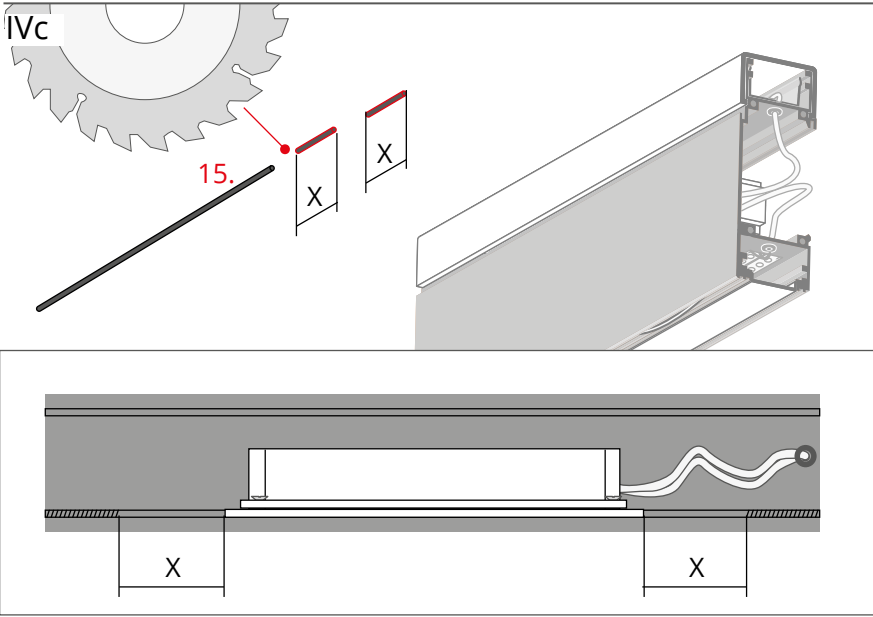


Put the mounting pad with the power supply in the channels in item (1.2) and slide the whole assembly into the profile.

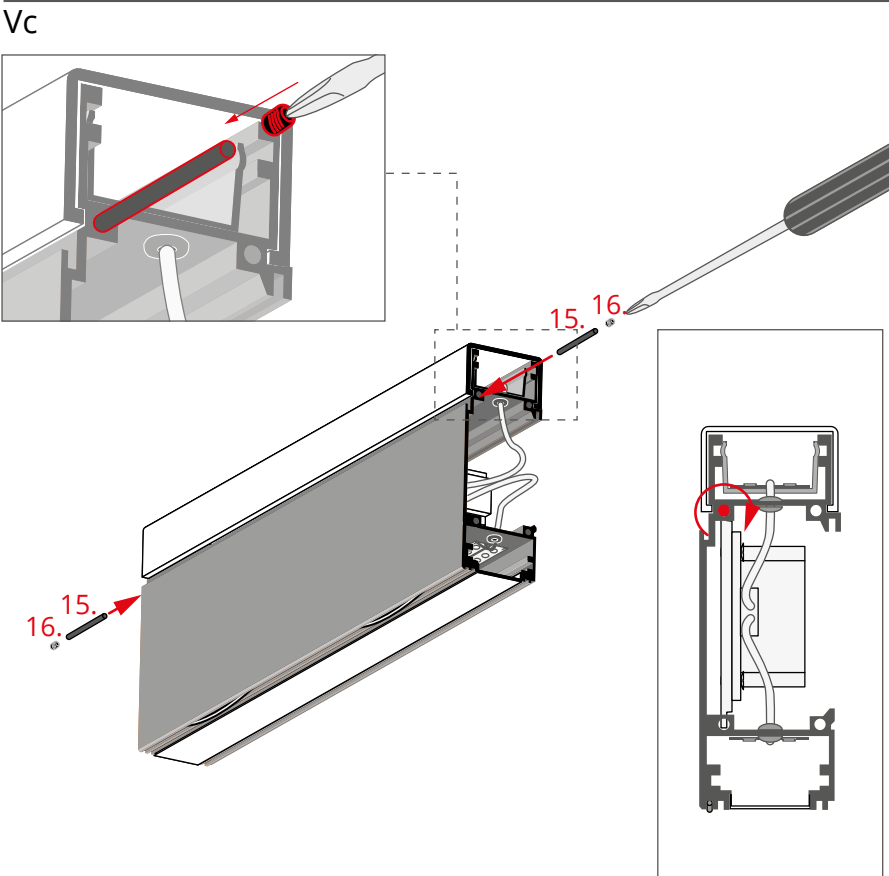
IIIc



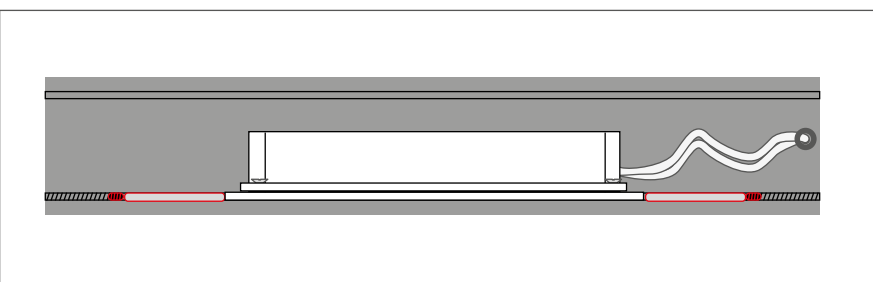
Connect the cables from LED strips to the power supply.



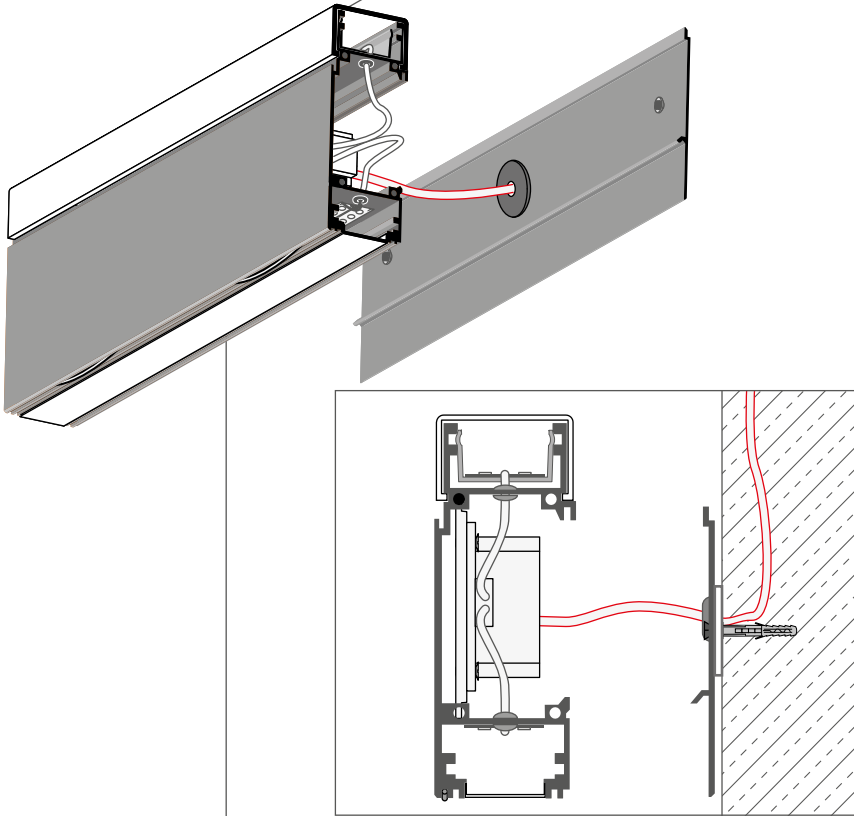
Measure the distance from the mounting insert to the end of the threads in the channels. Cut the two sections from the plastic rod (15), matching the measured length.



Put the previously-cut rods (15) into the channels from both sides of the profile and tighten them all the way with pressure screws (16).

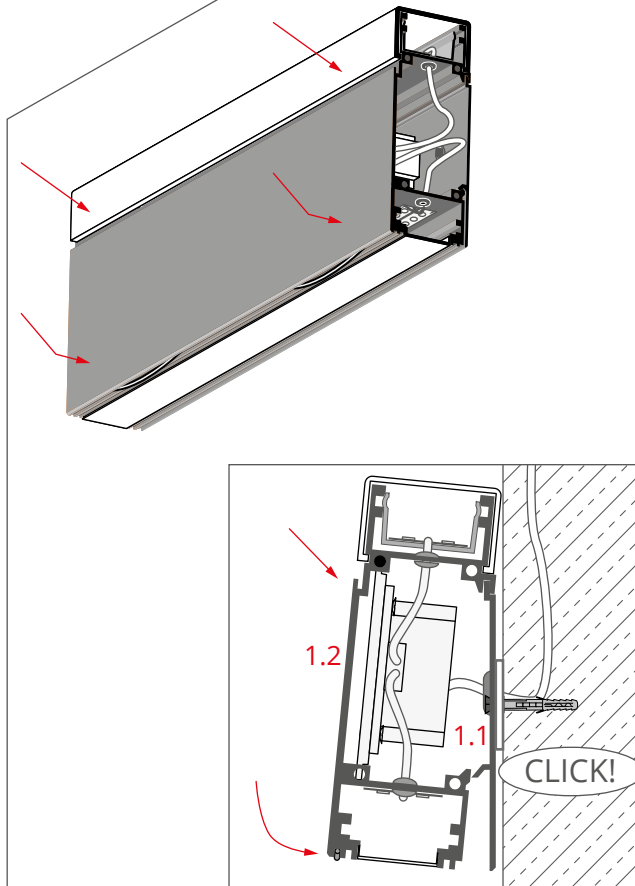


Id



Connect the 230 V / 120 V cable to the power supply.

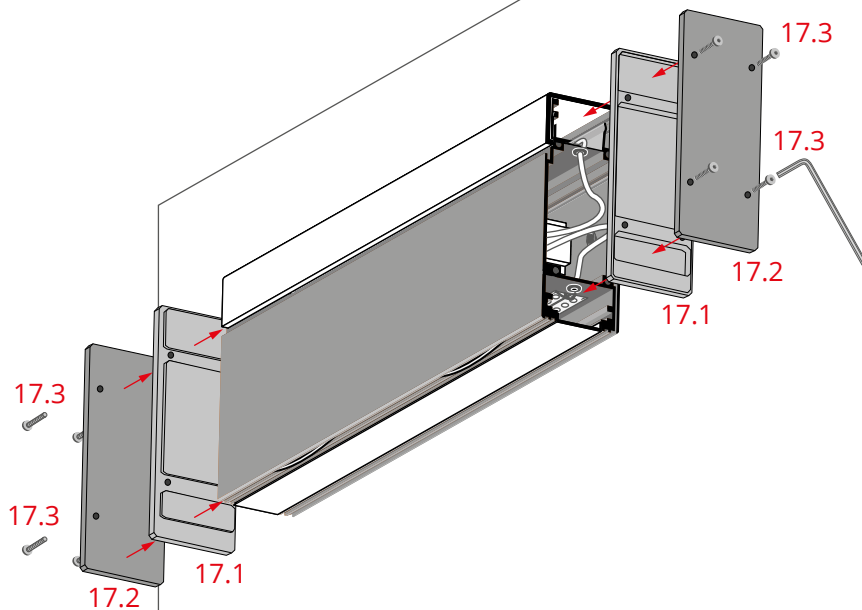
IId



Mount the item (1.2) to the previously-prepared item (1.1).

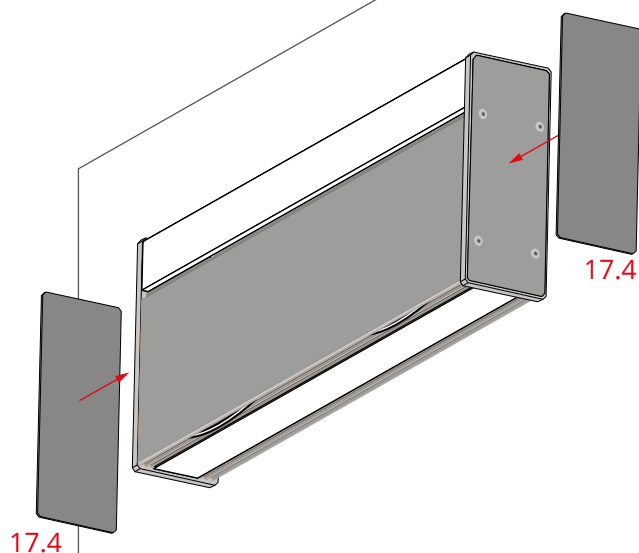


Ie



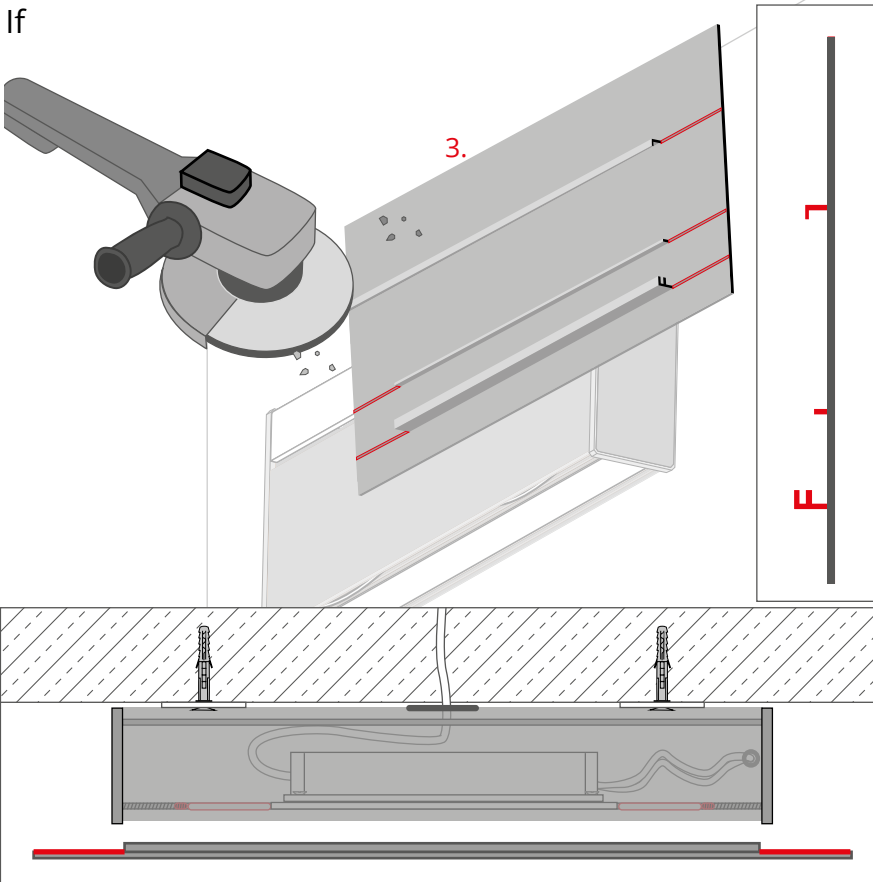
Mount the end cap items: gaskets (17.1), pressure pads (17.2) and tighten the whole assembly with (17.3) with the use of an allen wrench.

Ile



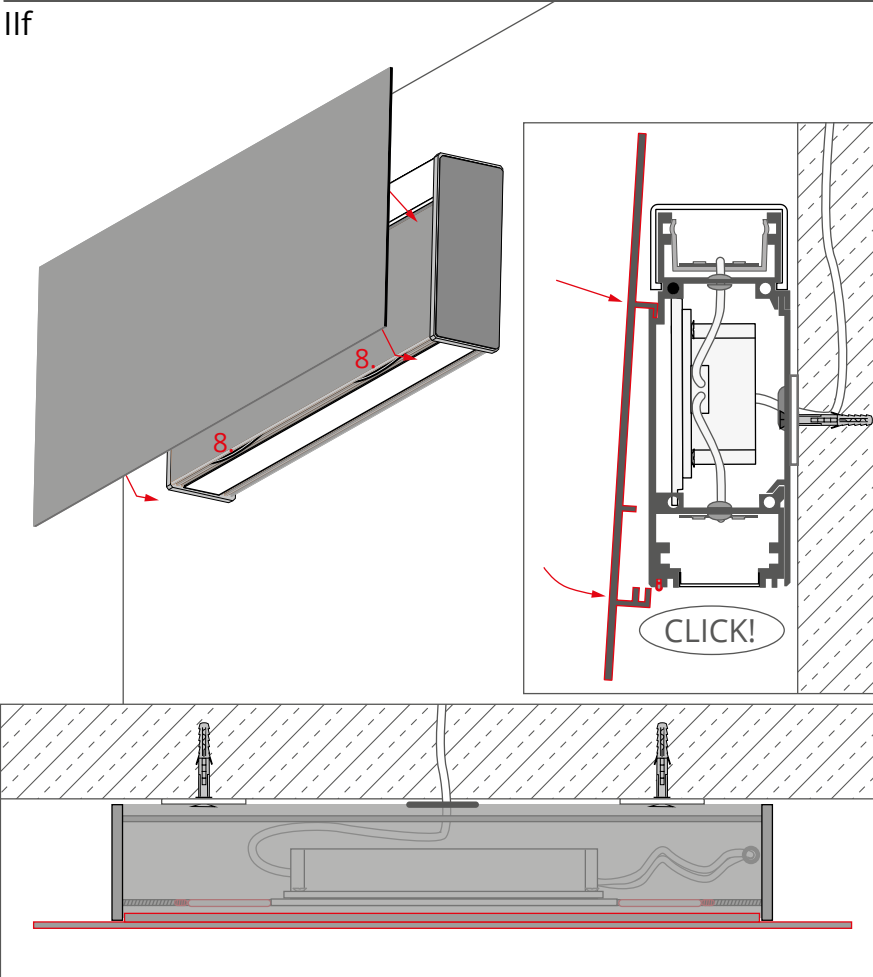
Put the end cap masking covers (17.4) into the flanges of the gaskets.

If



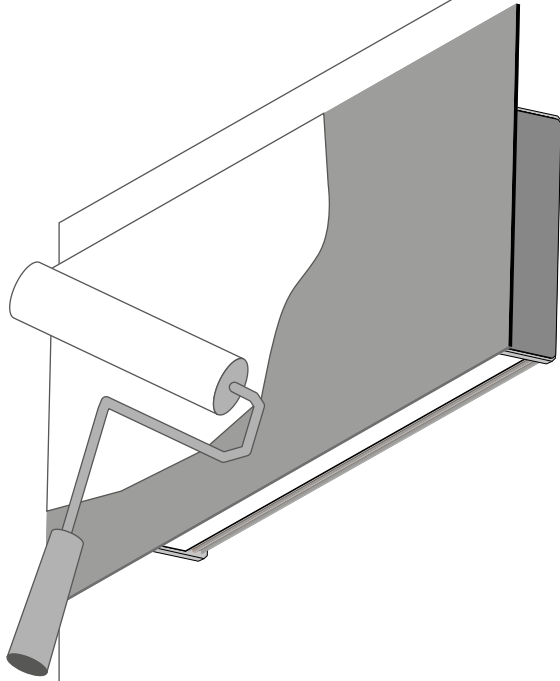
Grind the hooks off the ATRA profile (3) to the length that will allow to mount it on the KIDES-DUO profile with the previously mounted end caps.

If



Put the ATRA profile on the KIDES-DUO profile as shown in the drawing. Springs (8) will secure the ATRA profile against falling off.

**OPTIONAL**



For Aesthetic purposes, the ATRA profile can be covered with paint or other substances, that will make it resemble the fixture's mounting surface.