

PRODUCT DESCRIPTION

The information contained in the description applies to the PIKO-ZM system (a set of PIKO-ZM and TEPIKO profiles)

- Can build fixtures going seamlessly from built-in to suspended ones
- Very small size
- The PIKO-ZM lighting fixture is bendable
- Easy LED service
- Fits in the thickness of a drywall board (12mm)
- Can build light strings (with ZM connectors)
- TEPIKO features a "TEPIKO protective insert", which facilitates clean mounting of the fixture in drywall boards



FINISH :

Non anodized (raw) 

*Custom colors available upon request

Fill empty fields

Product nr.	
Fixture type	
Company	
Job name	
Date	

TECHNICAL SPECIFICATION

Application

- for construction of serviceable LED lighting fixtures, straight and angled, built-in and suspended, producing the effect of a "thin line of light"

Assembly

- TEPIKO is mounted in drywall boards using elastic fixing glues
- the "built-in" PIKO-ZM is mounted in the TEPIKO profile with the **TEKNIK** latch (sold separately)
- the "suspended" PIKO-ZM is mounted using other KLUŚ accessories dedicated to the "small lock"

Additional information

- minimum bend radius of the PIKO-ZM (light directed inside) 220mm
- minimum bend radius of the PIKO-ZM (light directed outside) 120mm
- recommendation:

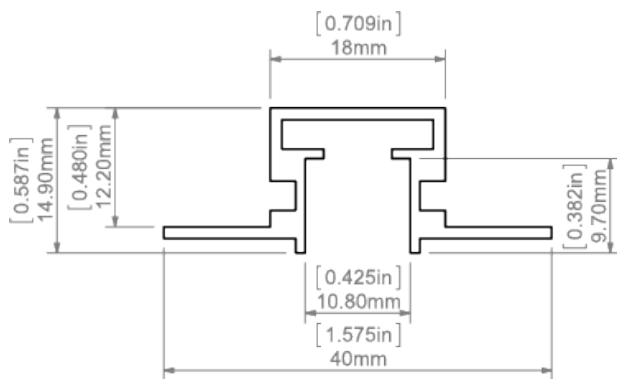
Profile length	1 m	2 m	3 m
Number of TEKNIK latches	4	9	14

- the TEPIKO profile is sold with the "TEPIKO protective insert".

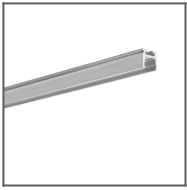
AVAILABLE LENGTHS

Ref. nr.	surface finish	available lengths
18046NA_1	Non anodized (raw)	1000 mm
18046NA_2	Non anodized (raw)	2000 mm
18046NA_3	Non anodized (raw)	3000 mm

TECHNICAL DRAWING



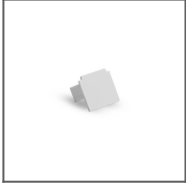
RELATED PROFILES



PIKO-ZM Profile
Ref: C1168

RELATED PRODUCTS

END CAPS



TEPIKO grey End
cap
Ref: 24303

ACCESSORIES

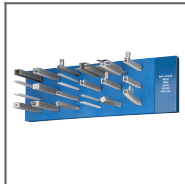


TEKNIK Latch
Ref: 24003

MARKETING MATERIALS



Display
P230-90172M
Ref: 90172M



Foam 70341
Ref: 70341