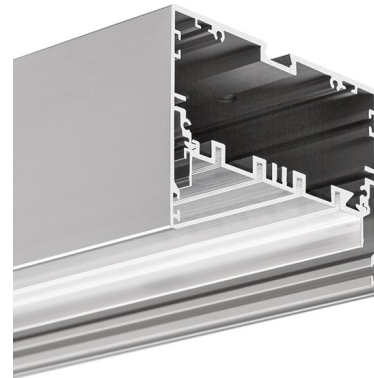


PRODUCT DESCRIPTION

- Service is carried out from below, enabling the construction of wall-to-wall lighting fixtures
- An LED lighting fixture with a low glare rating UGR below 19 (with the JUN-100 prismatic cover) can be built
- The fixture can accommodate power supplies and control electronics
- A system solution for comfortable assembly and disassembly
- Directs light downwards and upwards
- Ability to build lighting fixtures with high light output
- Resistance to vibrations - safety
- Can be combined into strings and segmented lines
- Light output can be increased with REFLEX 16-60 reflectors
- LED tapes or LED current modules can be used



FINISH :

Silver anodized

*Custom colors available upon request

Fill empty fields

Product nr.	
Fixture type	
Company	
Job name	
Date	

TECHNICAL SPECIFICATION

Application

- for the construction of advanced ceiling fixtures, mounted to the surface or in difficult installation locations

Assembly

- comfortable and reliable installation
- the possibility of using self-tapping screws

Additional information

- the MOD-100 lighting fixture can be anodized or painted
- MOD-100 lighting fixtures can produce a strong downward light beam (6 LED tapes, 10 mm wide) or 2 LED current modules 24 mm wide), and an upward beam (1 LED tape, 10 mm wide)
- MOD-100 is designed as a "core" (profile with LED tapes, power supply, cables), which can be prepared in advance (in factory conditions)
- at the installation site, it is enough to insert the prepared "core" into the body of the fixture and connect power
- use 2 locking bolts for each 1m of the fixture. With fixtures shorter than 1m, use at least 2 bolts.

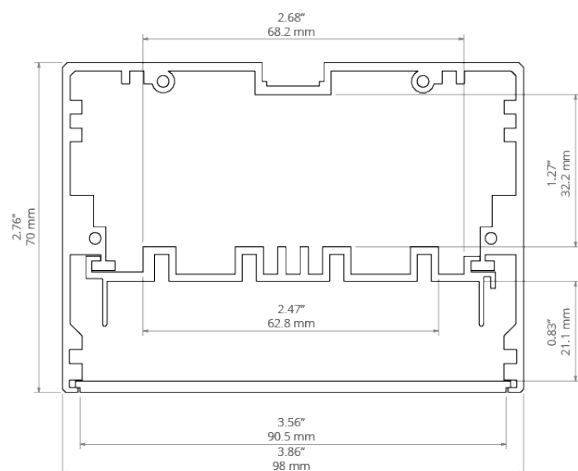
The following covers should be used with the MOD-100 fixture:

- **JUN-100 prismatic** material: PMMA, length: 1.5 m, UV resistant, glare rating UGR ≤ 19 possible
- **POL-100 frosted**, material: PC, length: 1 m, 2 m, 3 m, UV resistant.

AVAILABLE LENGTHS

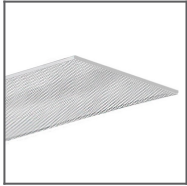
Ref. nr.	surface finish	available lengths
18049ANODA_1	Silver anodized	1000 mm
18049ANODA_2	Silver anodized	2000 mm
18049ANODA_3	Silver anodized	3000 mm

TECHNICAL DRAWING

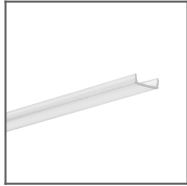


RELATED PRODUCTS

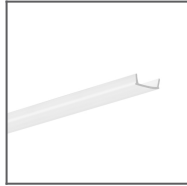
COVERS



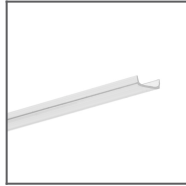
JUN-100 prismatic
Cover
Ref: 17165_1.5



KA clear Cover
Ref: 17036



KA frosted Cover
Ref: 17035



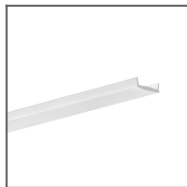
KA-COM clear
Cover
Ref: 17122



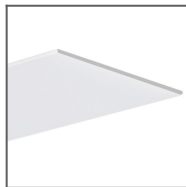
KA-COM frosted
Cover
Ref: 17121



KA-PRO frosted
Cover
Ref: 17064



LIGER frosted
Cover
Ref: 17037



POL-100 frosted
Cover
Ref: 17166

END CAPS



MOD-100 grey
End cap
Ref: 24334

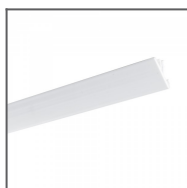
ACCESSORIES



Gland M8X1
Ref: 42265



M4-12 Fastener
Ref: 42246



REFLEX 16-60
Reflector
Ref: 17003



Screw 2.9X6.5
DIN7981F
Ref: 70283