

- 1.1 RAM-3035-KOZE profile (item 1.1)
  - 1.2 RAM-3035-KOZE profile (item 1.2)
  - 1.3 Spring (item 1.3)
  - 2. Profile 3035-O (Ref. B8441)
  - 3. Locking bolt\*
  - 4. End cap for item 1.1\*
  - 5. LED tape\*
  - 6. Gland\*
  - 7. Power supply (12 V / 24 V)\*
  - 8. End cap for item 2.1\*
- (Ref. 18056)

- 9. Wedge\*
- 10. Cover\*
- 11. Silicone cord\*

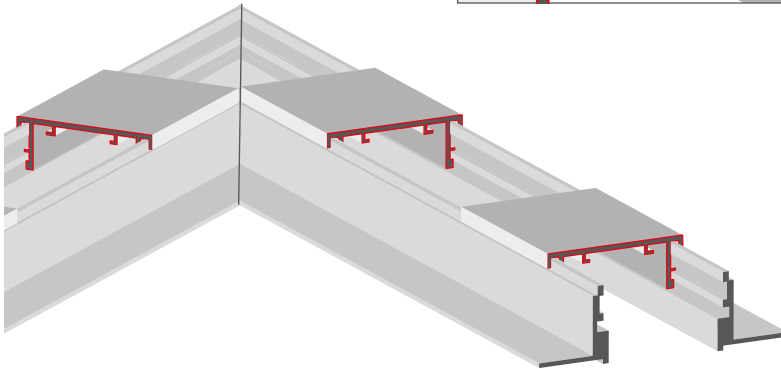
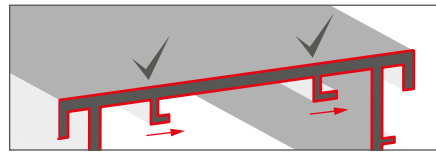
\*The full range of accessories and electronics is available at [www.KlusDesign.eu](http://www.KlusDesign.eu)

**NOTE!** All LED strips must be connected to a 12 V or 24 V power supply.

**IMPORTANT:** Not all possible mounting procedures are presented here. More mounting procedures and related accessories can be found at [www.KlusDesign.eu](http://www.KlusDesign.eu). Drawings of profiles and accessories in these instructions are simplified and only approximate the actual shapes.

I (correct)

The hook points correctly - outwards



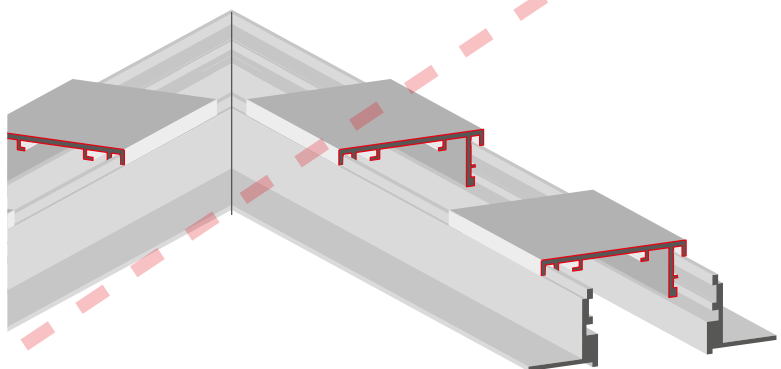
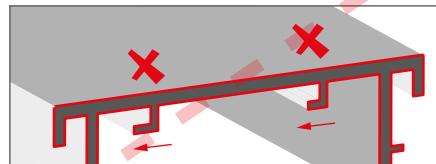
The RAM-3035-KOZE and 3035-O profiles can be used to build polygonal lighting fixtures.

**The RAM-3035-KOZE profile is not symmetrical!**

When mounting the profile in a polygonal shape, the hooks must be directed to the outside of this geometric figure. The profile must be glued into the drywall with the correct side.

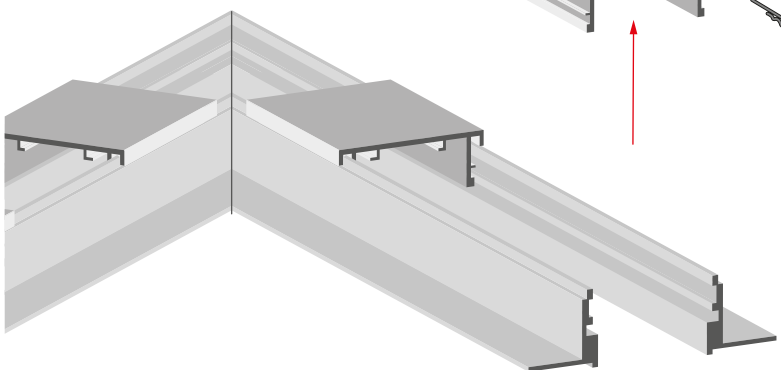
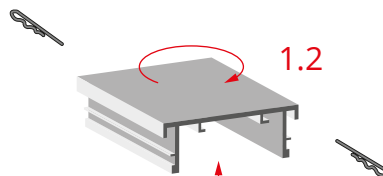
II (incorrect)

The hook points incorrectly - inwards



In lighting fixtures resembling a zigzag shape, individual profile sections must be positioned separately. Hooks must always be pointing outside the "bend".

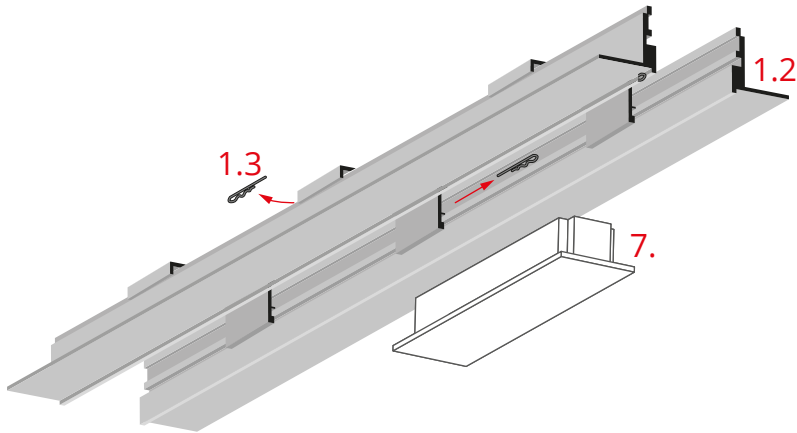
III (optionally)



In the event of an error, the position of the hooks can be corrected by disconnecting the items (1.2) and turning them over (see page 3).

a) Adjusting the items 1.2 in the RAM-3035-KOZE profile

Ia

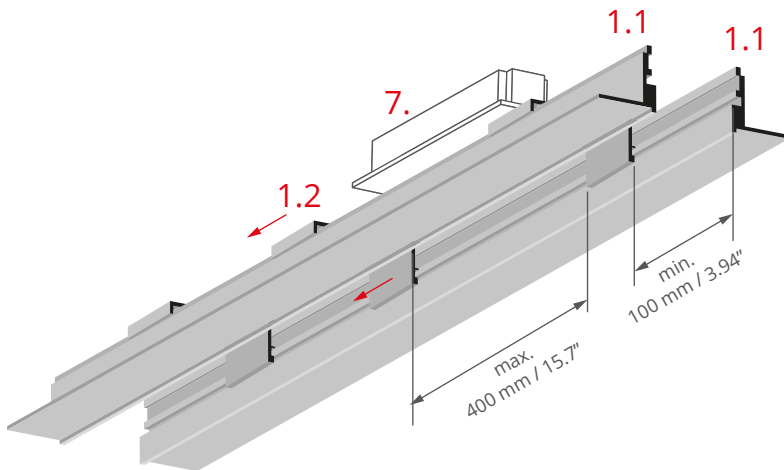


If the power supply (7) does not fit into the openings of the RAM-3035-KOZE profile, its items (1.2) must be slid further apart accordingly.

To do this, remove the springs (1.3).

This can also be done after finishing the wet work.

Ila

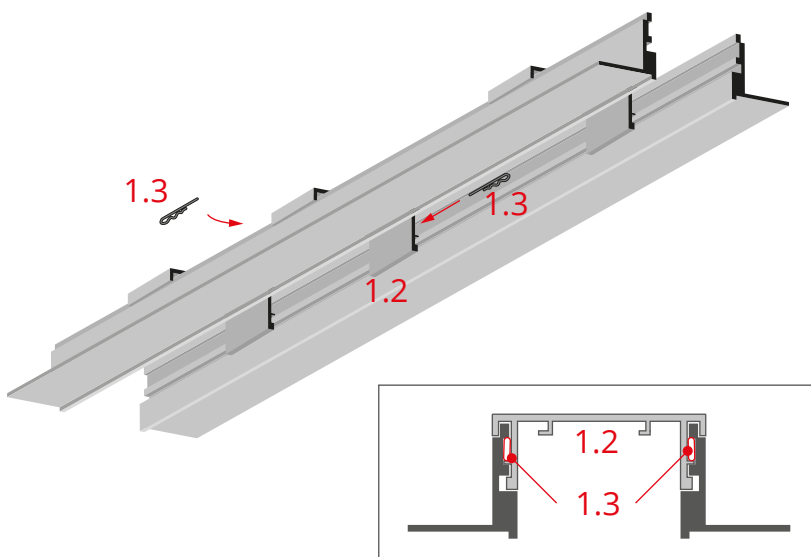


Slide the items (1.2) along the item (1.1).

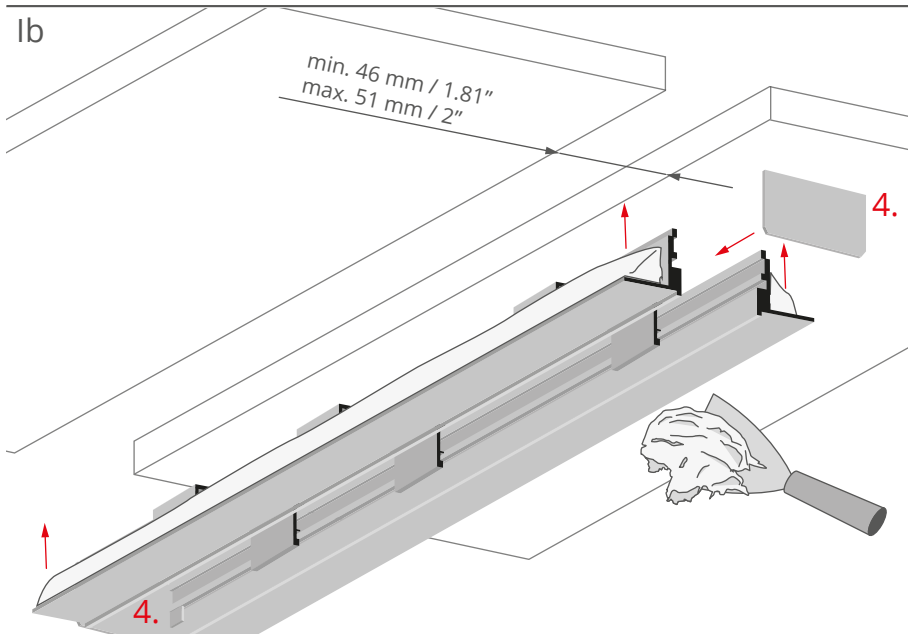
The minimum distance of the last item (1.2) from the end of the profile is 100 mm / 3.94". The distance between items (1.2) cannot exceed 400 mm / 15.7".

After sliding items (1.2), make sure that the power supply (7) now fits into the enlarged opening.

IIla



Put the springs (1.3) back in the items (1.2).

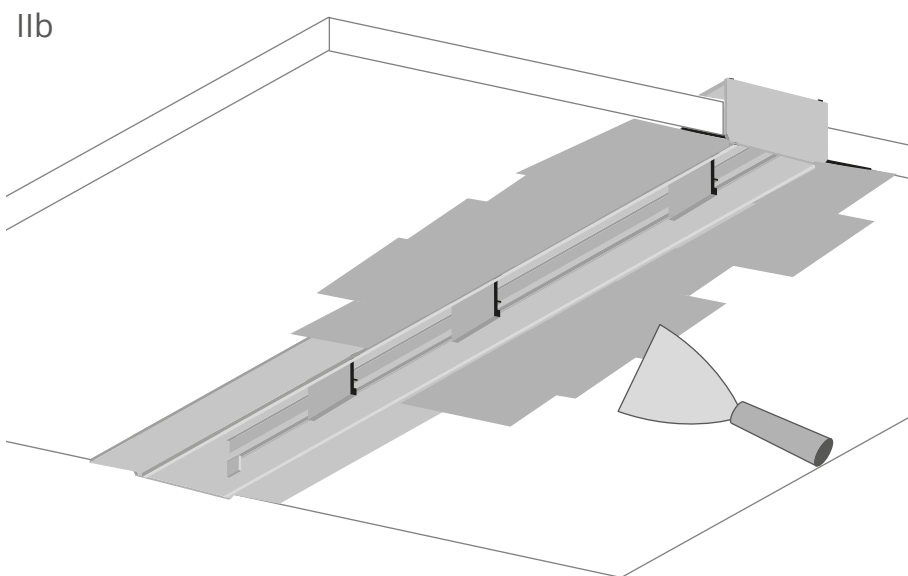


Attach end caps for item 1.1 (4).

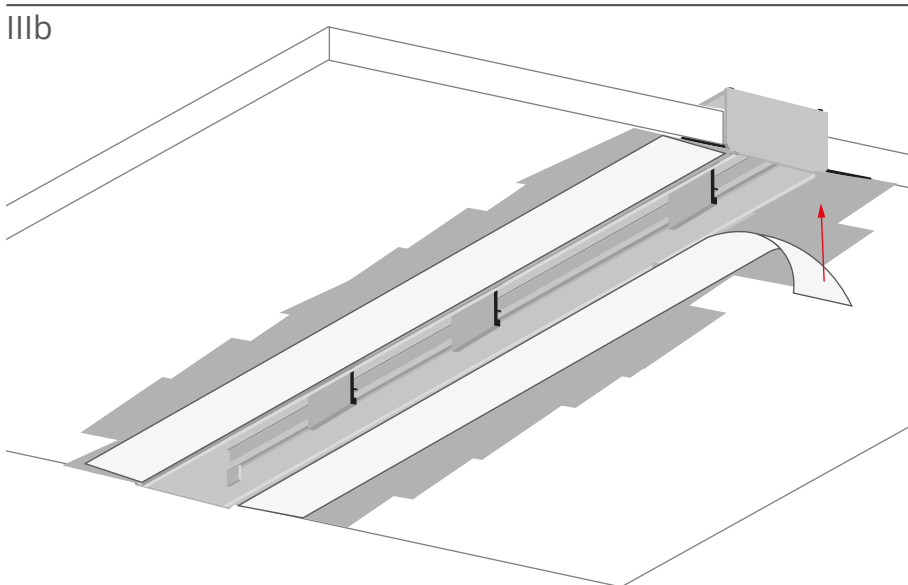
The groove in the ceiling should be between 46 mm / 1.18" and 51 mm / 2".

Apply glue evenly to the profile's flanges. Press the profile into the gap and remove excess glue.

**NOTE!** The profile must not get deformed during mounting!

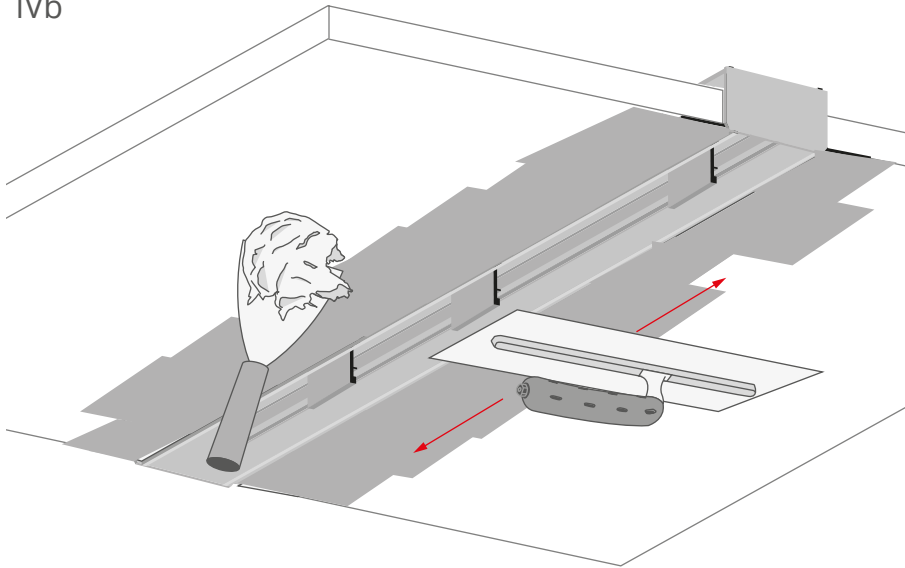


Apply glue and spread it at the junction of the profile's flanges and drywall.



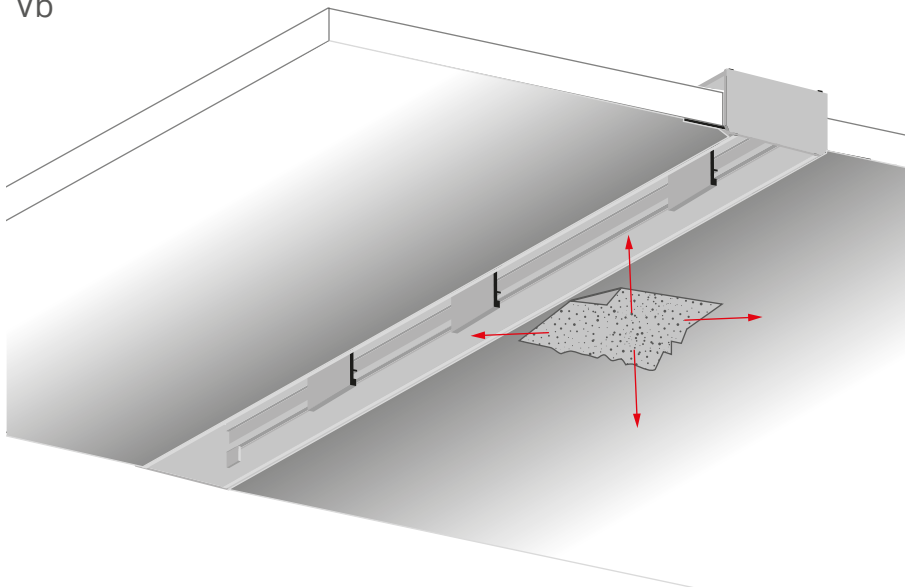
Attach TUFF-TAPE or equivalent at the junction of the profile flanges and drywall.

IVb



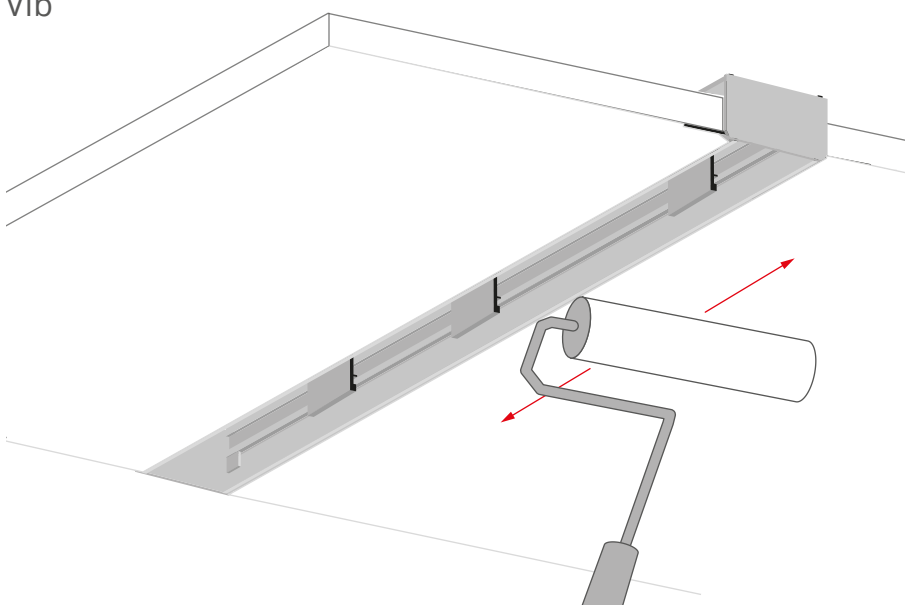
Apply plaster and make the surface even.

Vb

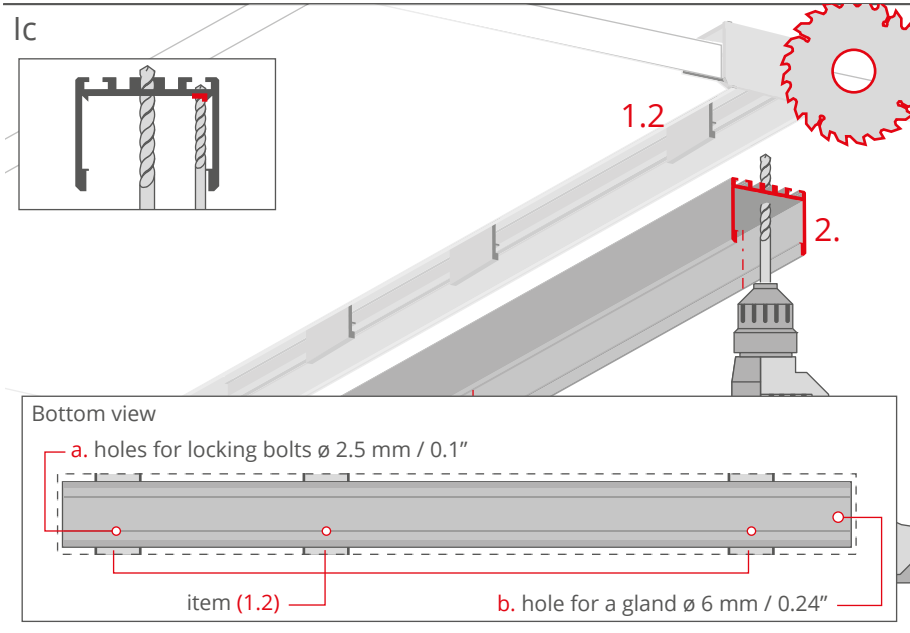


Smoothen the surface with sandpaper.

VIb



Prime and paint the surface.

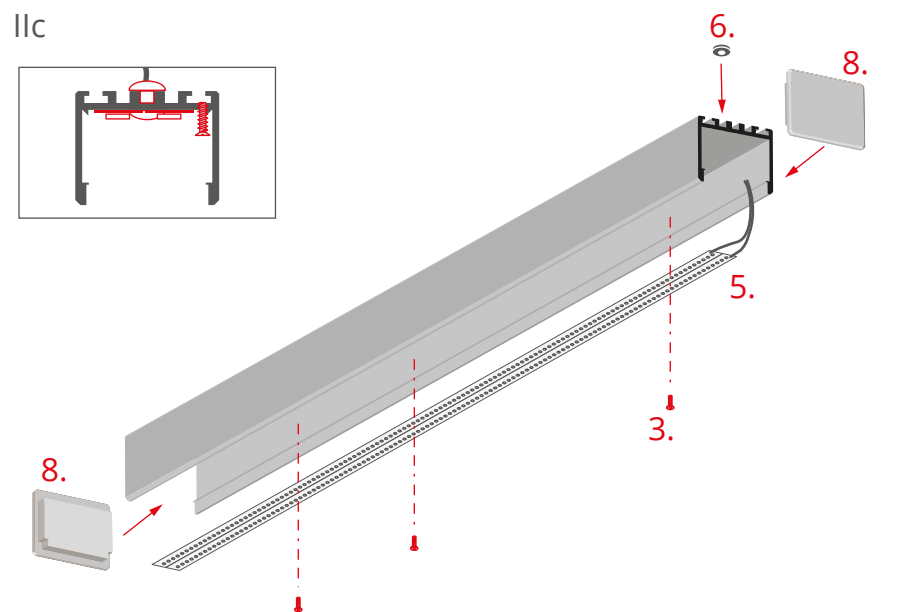


a. Drill holes for the locking bolts in the groove on the bottom of the profile (2).

The number of holes must be equal to the number of bolts used. Each hole should be in the middle of the corresponding item (1.2). There must be a minimum of two bolts per 1 meter of a lighting fixture.

b. Drill a hole in the profile (2) for the cable gland.

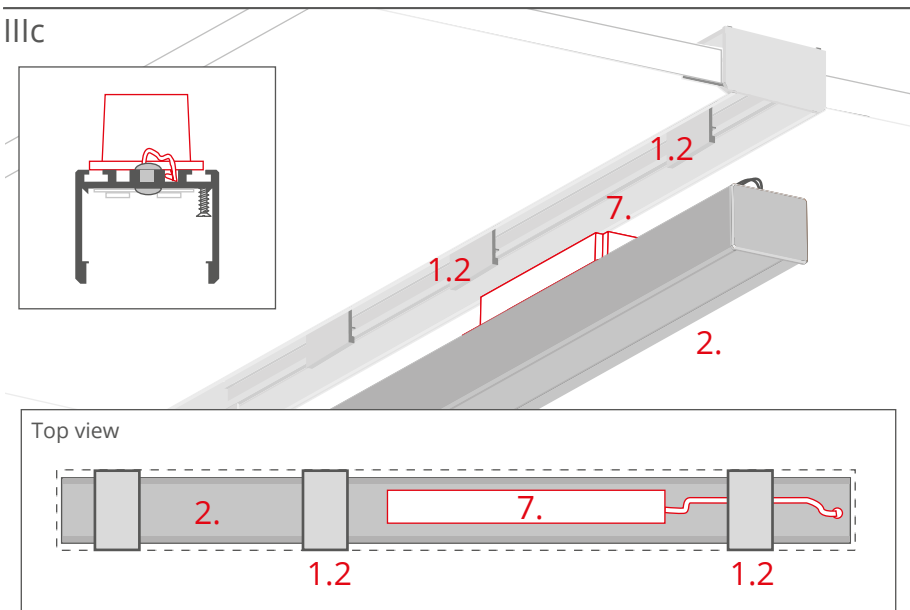
**NOTE!** The profile (2.1) must be shortened by 4 mm / 0.16" at each end where the end caps will be mounted.



Adhere the LED tapes (5), mount the gland (6) and route the power cable through it.

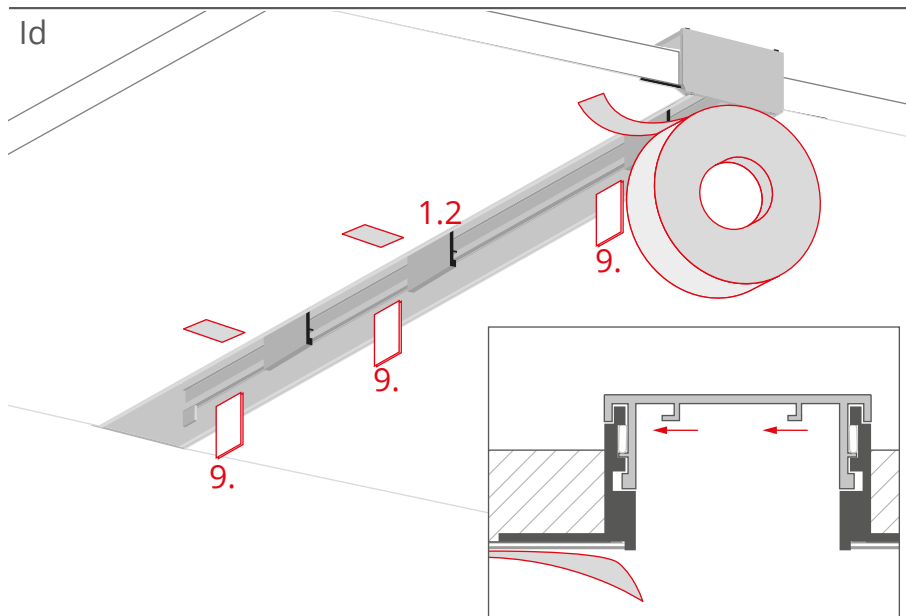
Attach end caps to the item 2.1 (8).

Locking bolts (3) can be tightened preliminarily in the pre-drilled holes before mounting the profile at its destination (after mounting the LED tapes).



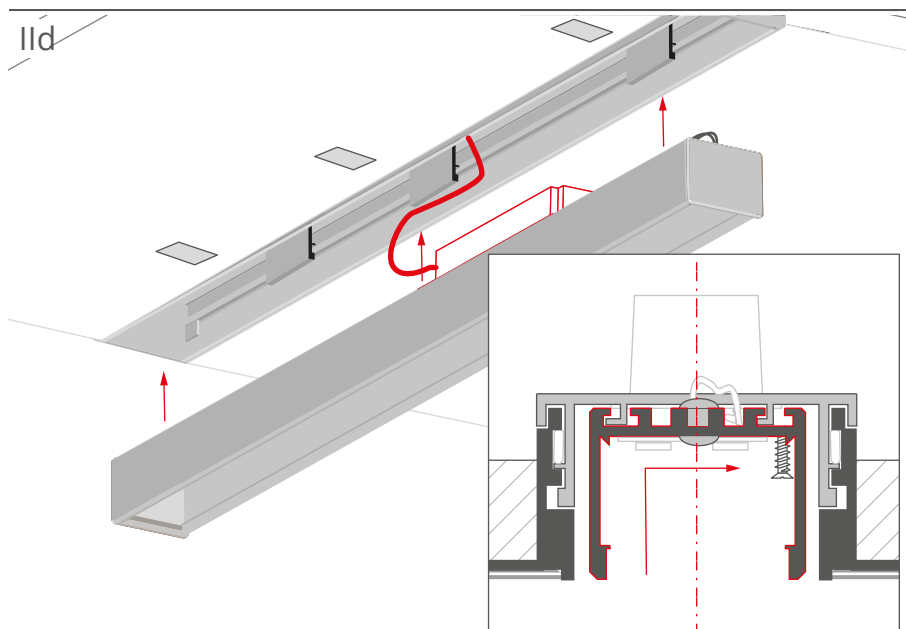
Mount the power supply (7) on the back of the profile in such a position that it fits into the opening of the RAM-3035-KOZE profile.

Run the power cable to the power supply through one of the channels in the profile (2), so that it does not protrude above the surface.



To facilitate further work, mark the location of items (1.2) in the RAM-3035-KOZE profile, e.g. with colored adhesive tape. Place the markings on the side, that hooks of items (1.2) are directed to.

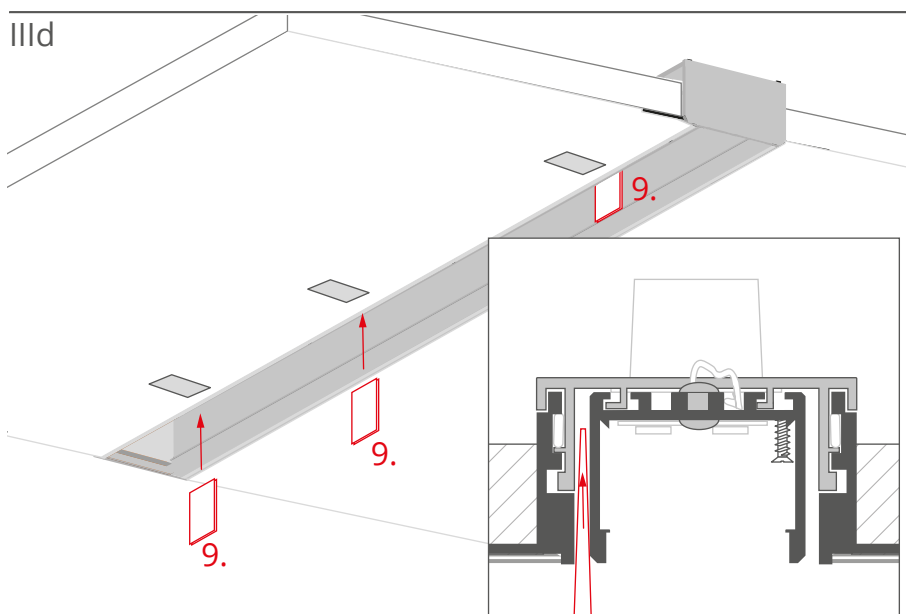
Prepare as many wedges (9) as there are items (1.2). They will prevent the 3035-O profile from falling out in the initial phase of the mounting procedure.



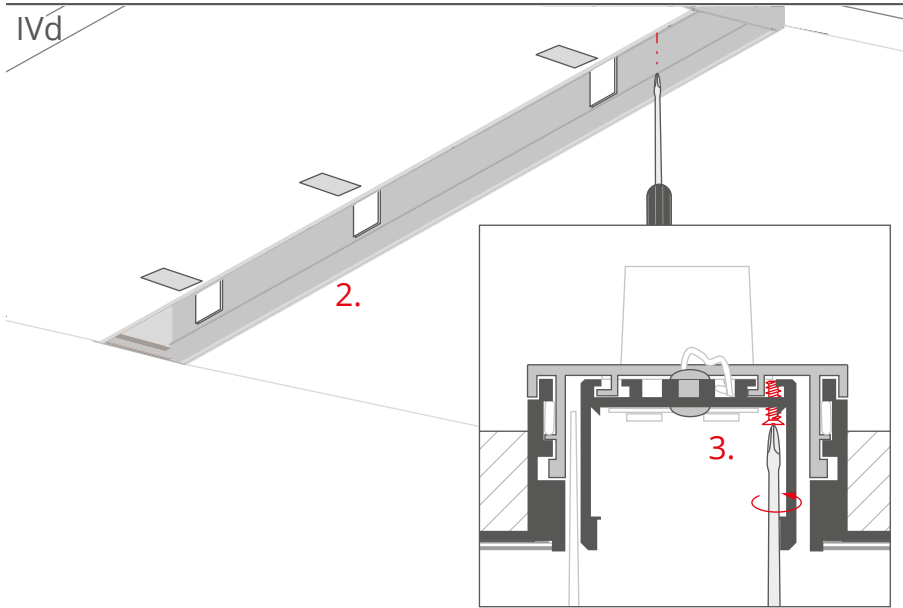
Connect the main power cables to the power supply (7).

Insert the 3035-O profile into the prepared mounting track.

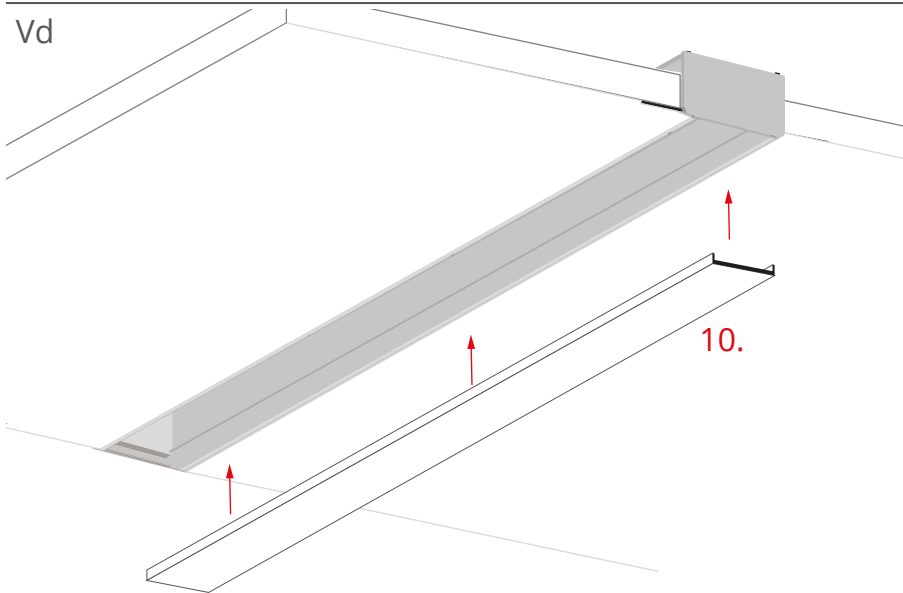
This is done by pressing the profile to the edge of RAM-3035-KOZE from the side of the markings. After this, profile should be pressed to the items (1.2) and moved to axis of RAM-3035-KOZE. This will make the small locks of 3035-O interlock with the small locks of items (1.2).



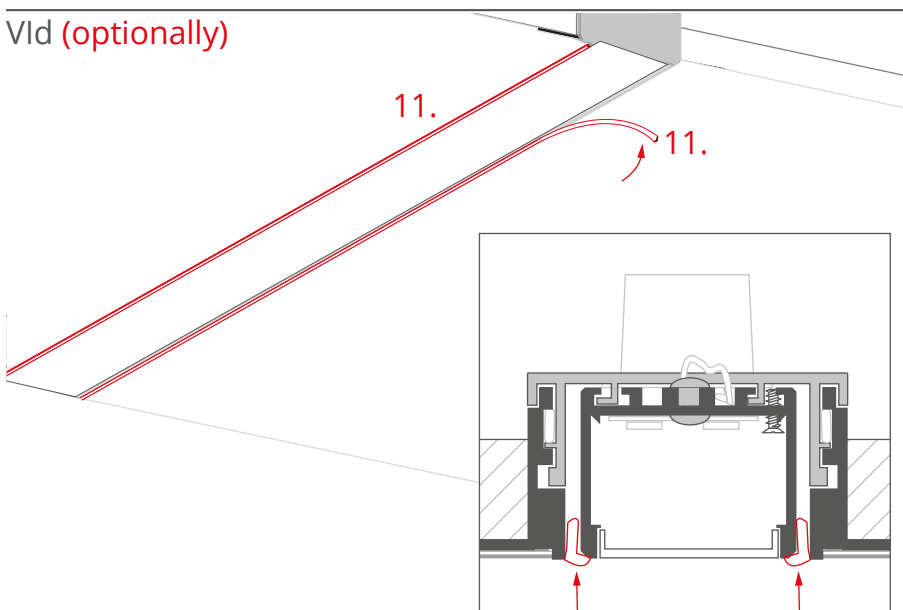
To prevent the lighting fixture from falling out, insert wedges (9) temporarily into the gap between the lighting fixture and the frame from the side of markings. There should be one wedge for each marked item (1.2).



Secure the item (2) against slipping out by tightening the locking bolts (3) in the pre-drilled holes.



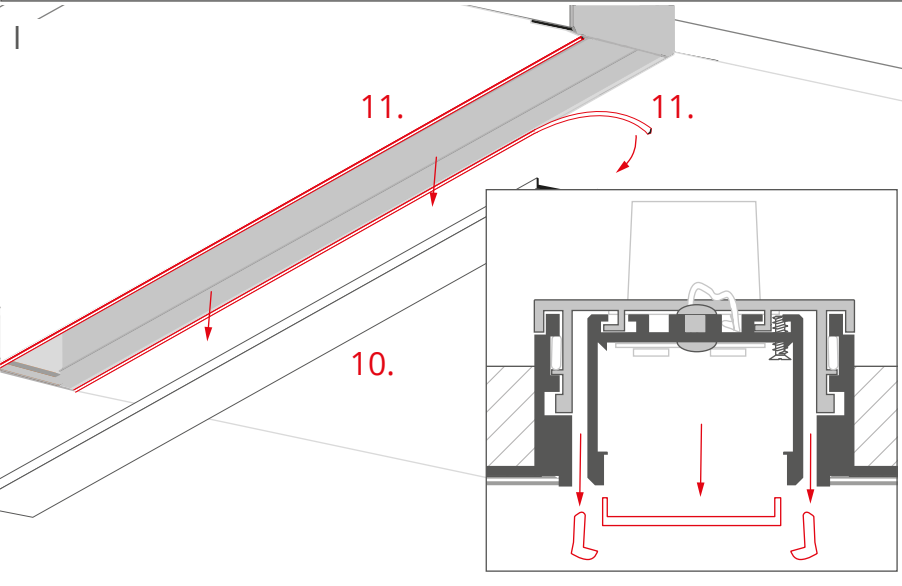
Remove wedges and markings.  
Attach the cover (10).



Mount the optional silicone cords (11).

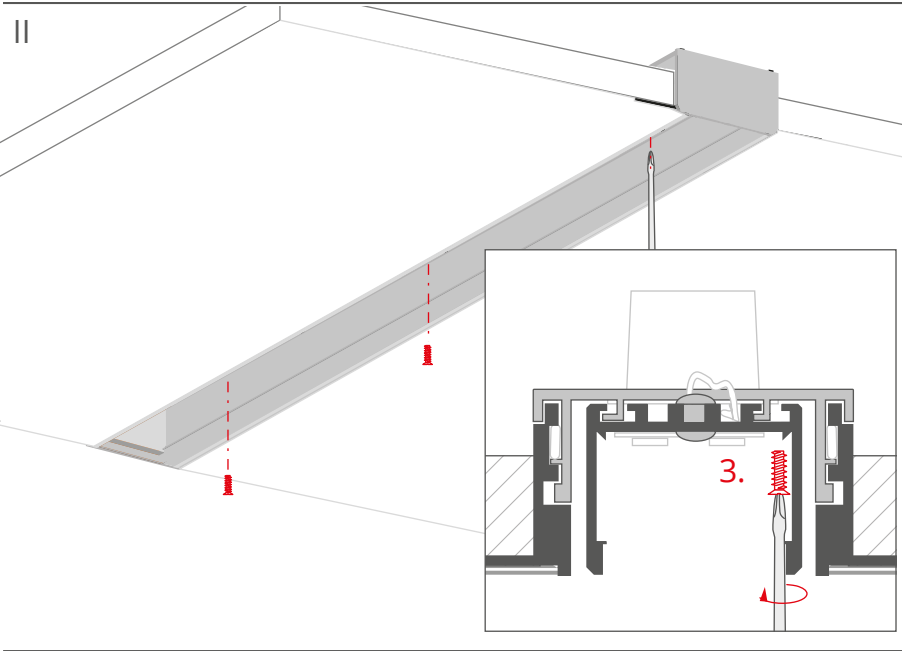


**SERVICE**

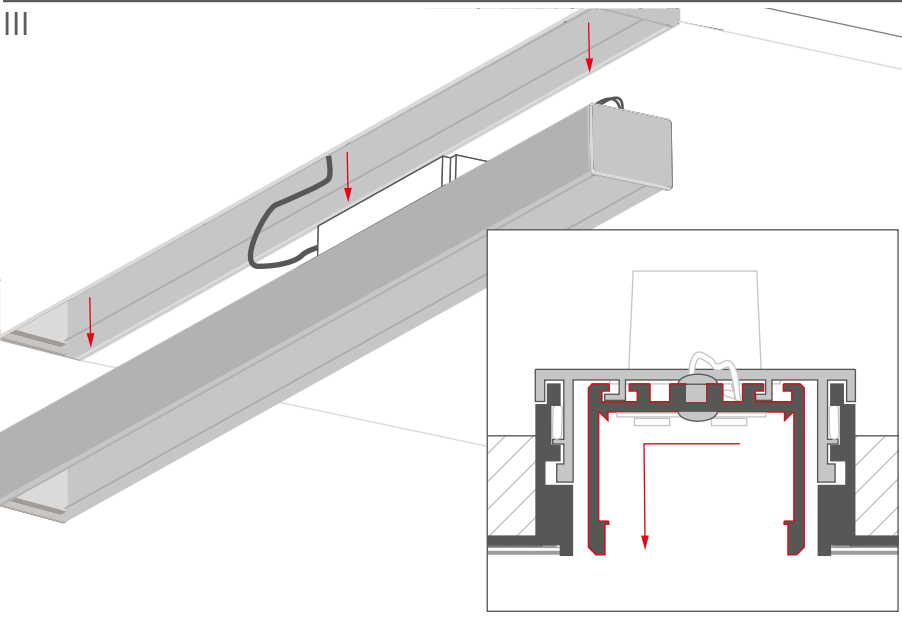


Remove the optional silicone cords (11).

Remove the cover (10) by bending the edge of the profile slightly.



Remove the locking bolts (3).



Move the 3035-O profile so it comes loose in the groove and pull it down (as shown in the figure).