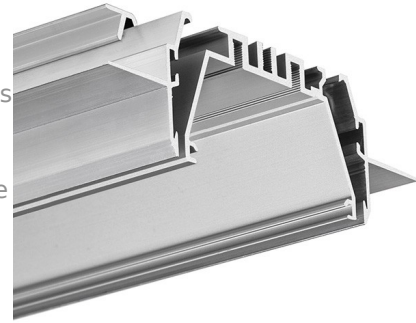


PRODUCT DESCRIPTION

The information contained in the description applies to the MOD-TEK-50 system (a set of [RAM-TEK-50](#), [OMODO-50](#) profiles).

- The openwork structure of the mounting channel and its adjustable elements (bridges) allow concealing power supplies and other electronic devices in any section of the LED lighting fixture, minimizing the need for unsightly inspection openings in the ceilings
- Repeated removal and remounting of the lighting fixture does not damage the ceiling
- A LED lighting fixture with a low glare rating UGR below 19 (with the prismatic JUN-50 cover)
- The profile can be mounted "from below" and thus build ceiling lighting fixtures that run "wall to wall"
- Either LED tapes or LED current modules can be used
- Linear and polygonal connections are possible with ZM connectors
- Secure mounting resistant to vibration



Fill empty fields

Product nr.	
Fixture type	
Company	
Job name	
Date	

TECHNICAL SPECIFICATION

Application

- for the construction of professional lighting fixtures with a cover mounted flush with the ceiling or wall surface,
- for LED lighting fixtures recessed in the ceiling, installed and serviced as a system,
- for creating precise mounting channels in drywall for LED lighting fixtures (RAM-TEK-50),
- for building LED lighting fixtures capable of reaching a glare rating $UGR \leq 19$.

Assembly

Embedding the "mounting channel" (RAM-TEK-50) in the surface of a drywall ceiling using screws. Mounting the "core" of the lighting fixture (OMODO-50) in the "mounting channel" (RAM-TEK-50).

Additional information

MOD-TEK-50 fixtures are designed for 3 LED tapes (10 mm wide) or 4 tapes (8 mm wide) or a LED current module up to 24 mm wide.

The lighting fixture is designed so that the "core" of the lighting fixture (profile with LED tapes, power supply, wires and end caps) can be prepared in advance, in factory conditions. The only thing to be done at the installation site is to insert the prepared "core" (OMODO-50) into the pre-installed mounting channel (RAM-TEK-50).

Mounting in 12.5 mm thick drywall boards.

Two locking bolts must be used for every 1 m of lighting fixture. For lighting fixtures shorter than 1m, at least 2 bolts must be used.

The width of the gap in the drywall for RAM-TEK-50: from 66 mm to 71 mm

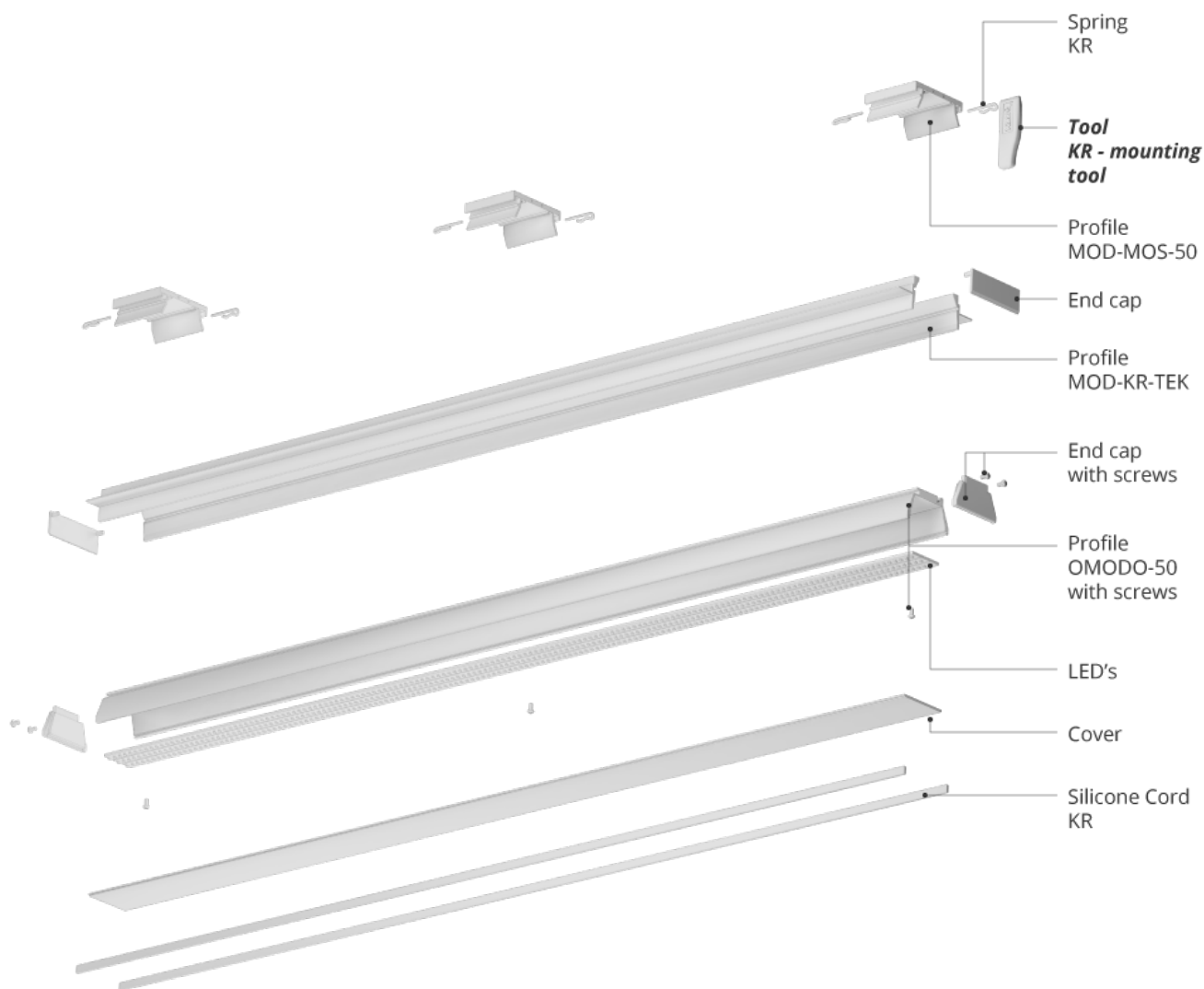
The following are examples of covers are compatible with MOD-TEK-50:

- JUN-50 prismatic material: PMMA, length: 1.5 m, UV resistant, glare rating UGR \leq 19 possible,
- POL-50 frosted, material: PC, lengths: 1 m, 2 m, 3 m, UV resistant.

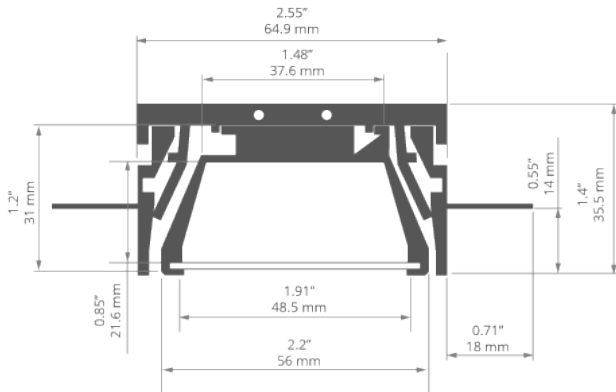
The gaps between the edges of the mounting channel and the "core" of the fixture can be finished with a dedicated silicone cord.

span {font-weight:600;}

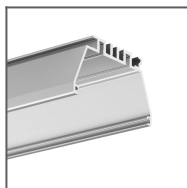
Scheme: Profile system MOD-TEK-50



TECHNICAL DRAWING



RELATED PROFILES



OMODO-50 Profile
Ref: 18053



RAM-TEK-50
Profile
Ref: 18059