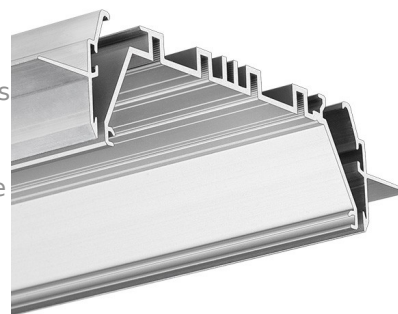


## PRODUCT DESCRIPTION

The information contained in the description applies to the MOD-TEK-100 system (a set of [RAM-TEK-100](#), [OMODO-100](#) profiles)

- The openwork structure of the mounting channel and its adjustable elements (bridges) allow concealing power supplies and other electronic devices in any section of the LED lighting fixture, minimizing the need for unsightly inspection openings in the ceilings
- Repeated removal and remounting of the lighting fixture does not damage the ceiling
- A LED lighting fixture with a low glare rating UGR below 19 (with the prismatic JUN-100 cover)
- The profile can be mounted "from below" and thus build ceiling lighting fixtures that run "wall to wall"
- Either LED tapes or LED current modules can be used
- Linear and polygonal connections are possible with ZM connectors
- Secure mounting resistant to vibration



Fill empty fields

Product nr.	
Fixture type	
Company	
Job name	
Date	

## TECHNICAL SPECIFICATION

### Application

- for the construction of professional lighting fixtures with a cover mounted flush with the ceiling or wall surface,
- for LED lighting fixtures recessed in the ceiling, installed and serviced as a system,
- for creating precise mounting channels in drywall for LED lighting fixtures (RAM-TEK-100),
- for building LED lighting fixtures capable of reaching a glare rating  $UGR \leq 19$ .

### Assembly

Embedding the "mounting channel" (RAM-TEK-100) in the surface of a drywall ceiling using screws. Mounting the "core" of the lighting fixture (OMODO-100) in the "mounting channel" (RAM-TEK-100).

### Additional information

MOD-TEK-100 fixtures are designed for 3 LED tapes (10mm wide) or 4 tapes (8mm wide) or two current modules up to 24mm wide.

The lighting fixture is designed so that the "core" of the lighting fixture (profile with LED tapes, power supply, wires and end caps) can be prepared in advance, in factory conditions. The only thing to be done at the installation site is to insert the prepared "core" (OMODO-100) into the pre-installed mounting channel (RAM-TEK-100).

Mounting in 12.5 mm thick drywall boards.

Two locking bolts must be used for every 1 m of lighting fixture. For lighting fixtures shorter than 1 m, at least 2 bolts must be used.

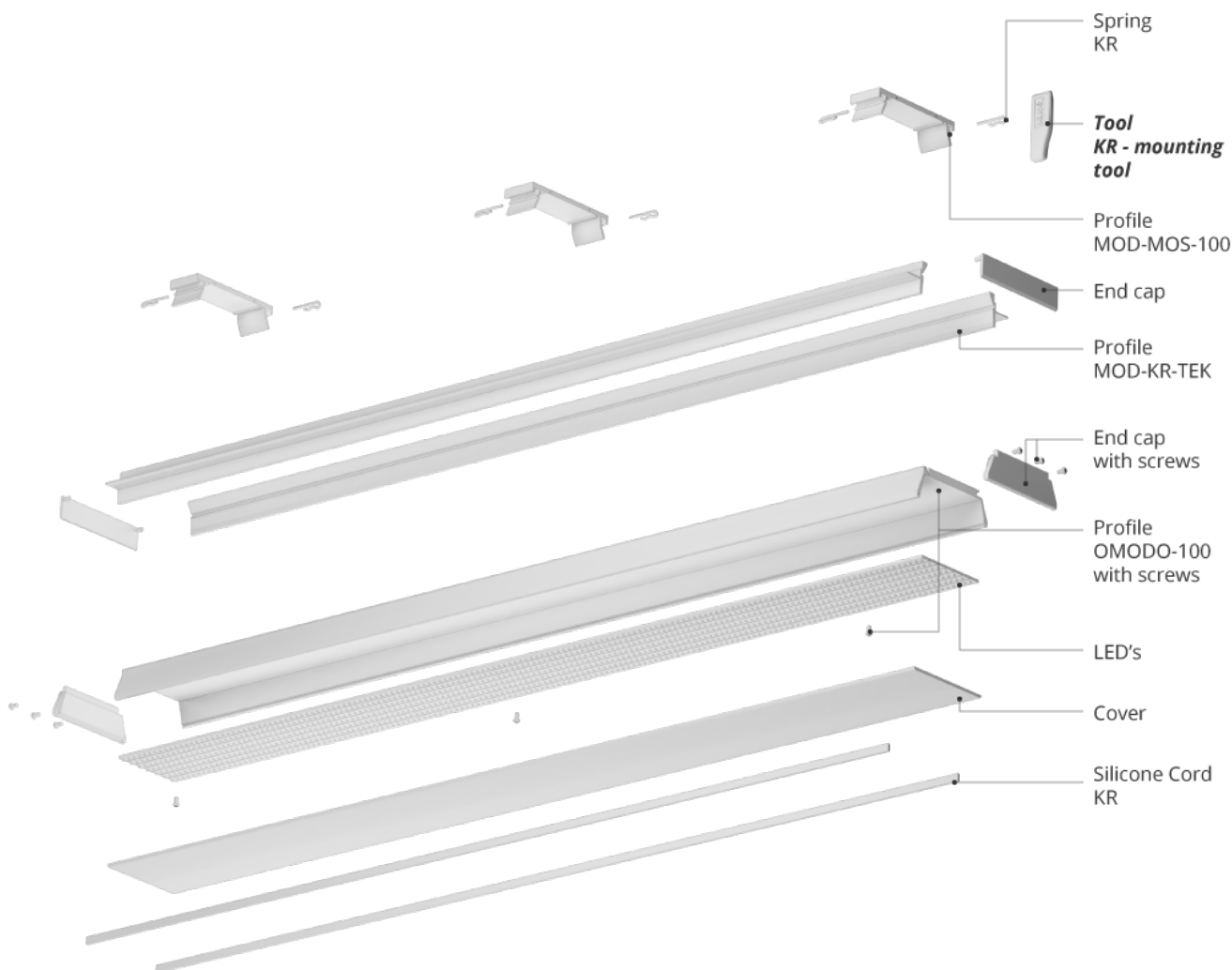
The width of the gap in the drywall for RAM-TEK-100: from 108 mm to 113 mm.

The following are examples of covers are compatible with MOD-TEK-100:

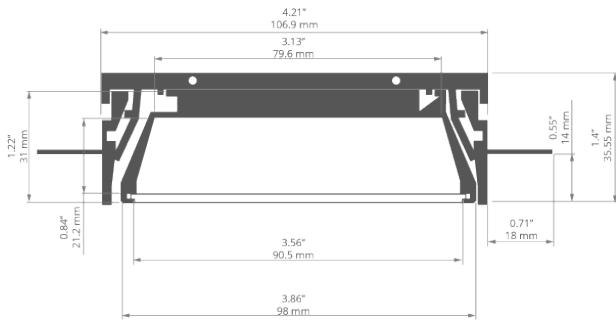
- JUN-100 prismatic material: PMMA, length: 1.5 m, UV resistant, glare rating UGR  $\leq$  19 possible,
- POL-100 frosted, material: PC, lengths: 1 m, 2 m, 3 m, UV resistant.

The gaps between the edges of the mounting channel and the "core" of the fixture can be finished with a dedicated silicone cord.

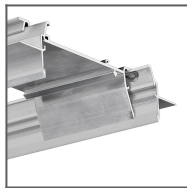
### Scheme: Profile system MOD-TEK-100



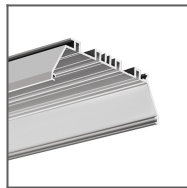
TECHNICAL DRAWING



## RELATED PROFILES



RAM-TEK-100  
Profile  
Ref: 18061



OMODO-100  
Profile  
Ref: 18058