

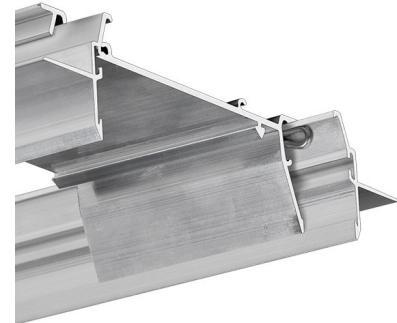
PRODUCT DESCRIPTION

The profile is part of the systems **MOD-TEK-100**.

FINISH :

Non anodized (raw) 

*Custom colors available upon request



Fill empty fields

Product nr.	
Fixture type	
Company	
Job name	
Date	

TECHNICAL SPECIFICATION

Additional information

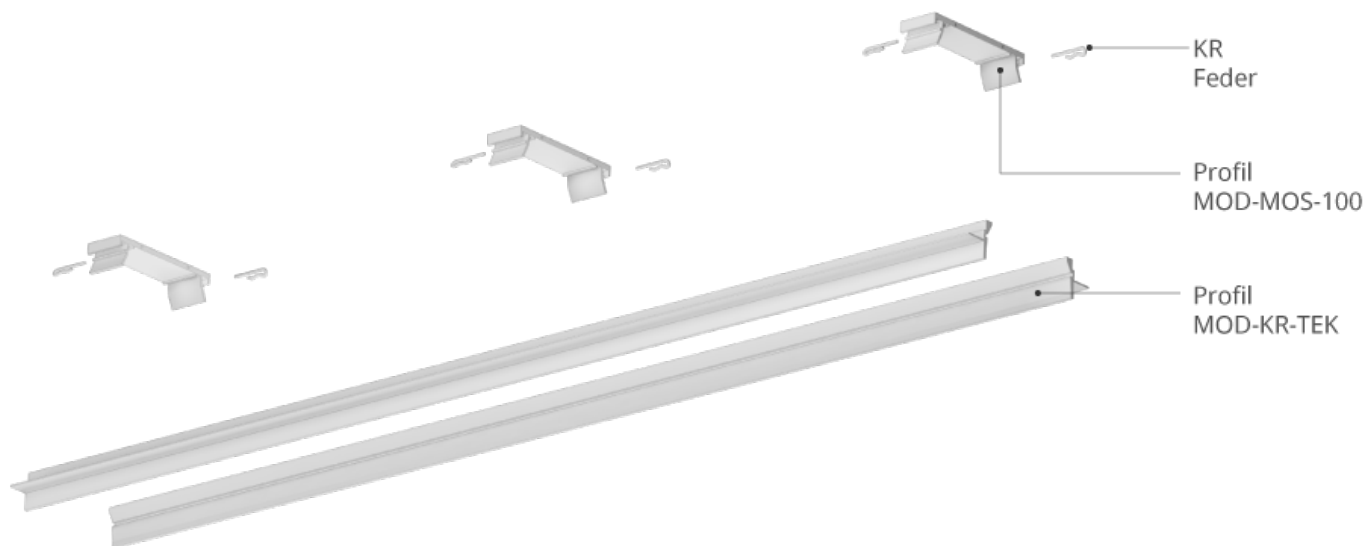
Profile components: RAM-TEK-100

```
.tg {border-collapse:collapse;border-spacing:0;} .tg td{font-family:Arial, sans-serif;font-size:14px;padding:10px 5px;border-style:solid;border-width:1px;overflow:hidden;word-break:normal;border-color:black;} .tg th{font-family:Arial, sans-serif;font-size:14px;font-weight:normal;padding:10px 5px;border-style:solid;border-width:1px;overflow:hidden;word-break:normal;border-color:black;} .tg .tg-baqh{text-align:center;vertical-align:top} .tg .tg-gqep{font-family:Verdana, Geneva, sans-serif !important;;text-align:left;vertical-align:top} .tg .tg-0lax{text-align:left;vertical-align:top} .tg {border-collapse:collapse;border-spacing:0;} .tg td{font-family:Arial, sans-serif;font-size:14px;padding:10px 5px;border-style:solid;border-width:1px;overflow:hidden;word-break:normal;border-color:black;} .tg th{font-family:Arial, sans-serif;font-size:14px;font-weight:normal;padding:10px 5px;border-style:solid;border-width:1px;overflow:hidden;word-break:normal;border-color:black;} .tg .tg-baqh{text-align:center;vertical-align:top} .tg .tg-gqep{font-family:Verdana, Geneva, sans-serif !important;;text-align:left;vertical-align:top} .tg .tg-0lax{text-align:left;vertical-align:top} .tg {border-collapse:collapse;border-spacing:0;} .tg td{border-color:black;border-style:solid;border-width:1px;font-family:Arial, sans-serif;font-size:14px; overflow:hidden;padding:10px 5px;word-break:normal;} .tg th{border-color:black;border-style:solid;border-width:1px;font-family:Arial, sans-serif;font-size:14px;font-weight:normal;overflow:hidden;padding:10px 5px;word-break:normal;} .tg .tg-zkvf{background-color:rgb(255, 255, 255);color:rgb(146, 146, 146);font-family:Tahoma, Geneva, sans-serif !important;; font-size:10px;font-weight:bold;text-align:left;vertical-align:top} .tg .tg-kngk{background-color:rgb(255, 255, 255);color:rgb(146, 146, 146);font-family:Tahoma, Geneva, sans-serif !important;; font-size:10px;text-align:left;vertical-align:top}
```

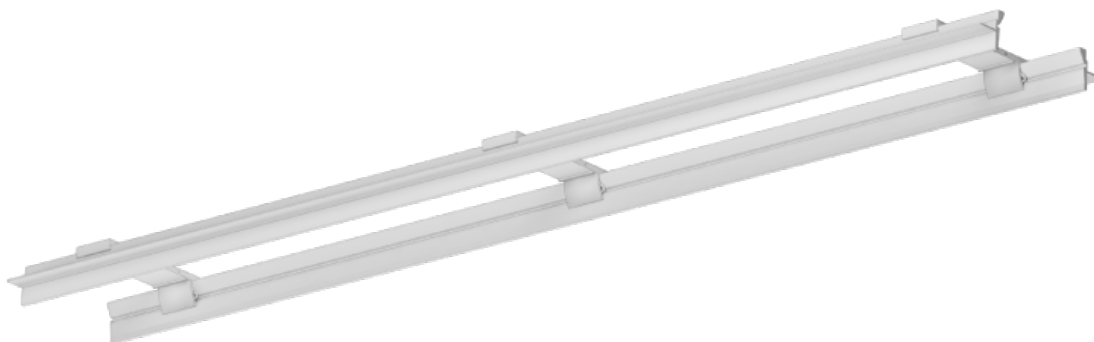
Name of the element	for length: 1 m	for length: 2 m	for length: 3 m
MOD-KR-TEK Profile	2 x 1 m	2 x 2 m	2 x 3 m
MOD-MOS-100 Profile	3 pcs.	5 pcs.	7 pcs.
KR Spring	6 pcs.	10 pcs.	14 pcs.

* For lengths longer than 3 m, please contact the sales department for more information regarding the amount of accessories needed.

Scheme: RAM-TEK-100 Profile



Assembling: : RAM-TEK-100

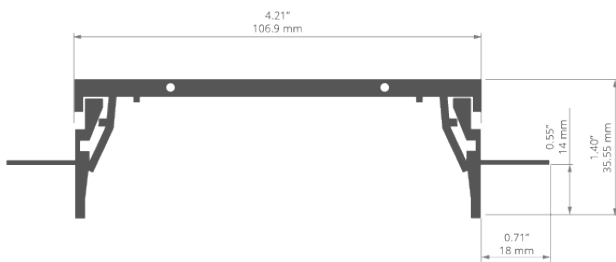


```
.tg {border-collapse:collapse;border-spacing:0;} .tg td{font-family:Arial, sans-serif;font-size:14px;padding:10px 5px;border-style:solid;border-width:1px;overflow:hidden;word-break:normal;border-color:black;} .tg th{font-family:Arial, sans-serif;font-size:14px;font-weight:normal;padding:10px 5px;border-style:solid;border-width:1px;overflow:hidden;word-break:normal;border-color:black;} .tg .tg-baqh{text-align:center;vertical-align:top} .tg .tg-gqep{font-family:Verdana, Geneva, sans-serif !important;;text-align:left;vertical-align:top} .tg .tg-0lax{text-align:left;vertical-align:top}
```

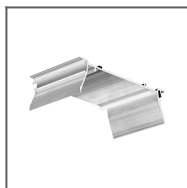
```
.tg {border-collapse:collapse;border-spacing:0;} .tg td{font-family:Arial, sans-serif;font-size:14px;padding:10px 5px;border-style:solid;border-width:1px;overflow:hidden;word-break:normal;border-color:black;} .tg th{font-family:Arial, sans-serif;font-size:14px;font-weight:normal;padding:10px 5px;border-style:solid;border-width:1px;overflow:hidden;word-break:normal;border-color:black;} .tg .tg-baqh{text-align:center;vertical-align:top} .tg .tg-gqep{font-family:Verdana, Geneva, sans-serif !important;;text-align:left;vertical-align:top} .tg .tg-0lax{text-align:left;vertical-align:top}
```

AVAILABLE LENGTHS

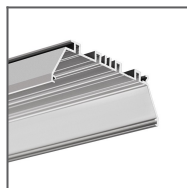
Ref. nr.	surface finish	available lengths
18061NA_1	Non anodized (raw)	1000 mm
18061NA_2	Non anodized (raw)	2000 mm
18061NA_3	Non anodized (raw)	3000 mm

TECHNICAL DRAWING

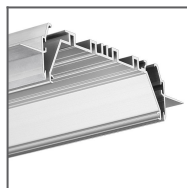
RELATED PROFILES



MOD-MOS-100
Profile
Ref: C1815



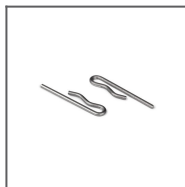
OMODO-100
Profile
Ref: 18058



Profile system
MOD-TEK-100
Ref: 18061 (RAM-
TEK-100) +
18058
(OMODO-100)

RELATED PRODUCTS

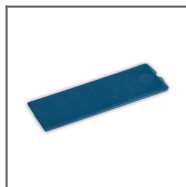
ACCESSORIES



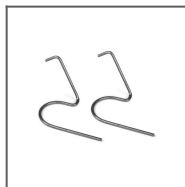
KR Spring
Ref: 42737



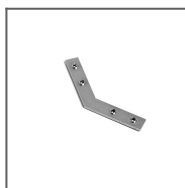
KR Tool
Ref: 70449



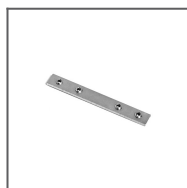
Mounting wedge
Ref: 70397



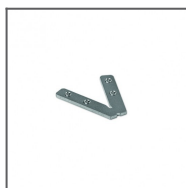
RAM-1 Spring
Ref: 42738



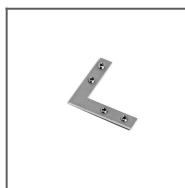
ZM-NA-135
Connector
Ref: 42725



ZM-NA-180
Connector
Ref: 42724



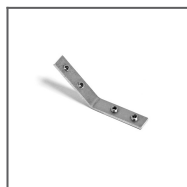
ZM-NA-45
Connector
Ref: 42339



ZM-NA-90
Connector
Ref: 42723



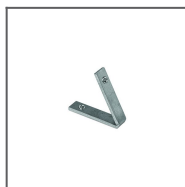
ZM-NA-PION-120
Connector
Ref: 42321



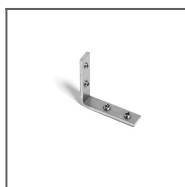
ZM-NA-PION-135
Connector
Ref: 42727



ZM-NA-PION-45
Connector
Ref: 42315



ZM-NA-PION-60
Connector
Ref: 42317



ZM-NA-PION-90
Connector
Ref: 42726