

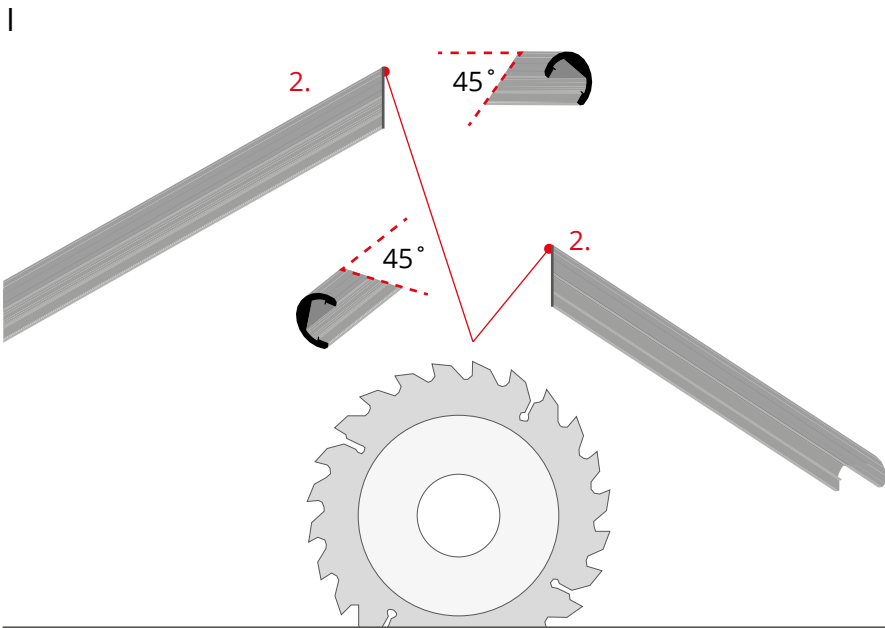
- 1. PIKO-O-90 Corner end cap (ref. 24369)
- 2. Profile
- 3. LED tape
- 4. Power cable
- 5. Cover

} Lighting fixture

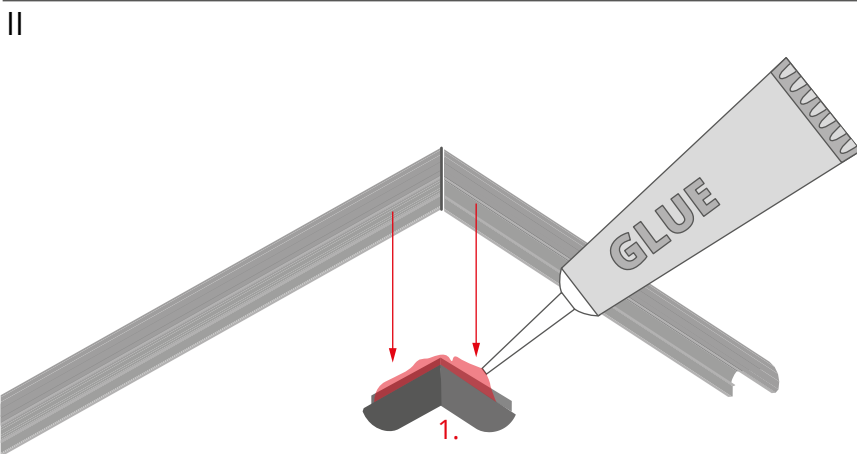
\*The full range of accessories and electronics is available at [www.KlusDesign.eu](http://www.KlusDesign.eu)

**NOTE!** All LED tapes must be connected to a 12 V or 24 V power supply.

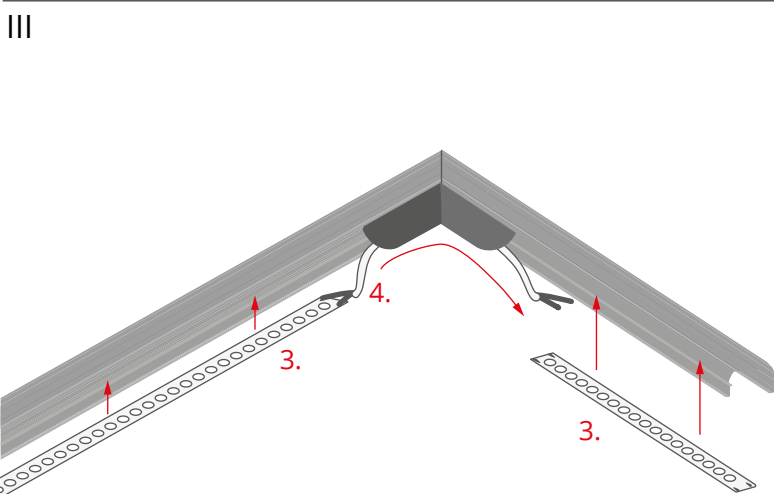
**IMPORTANT:** Not all possible mounting procedures are presented here. More mounting procedures and related accessories can be found at [www.KlusDesign.eu](http://www.KlusDesign.eu). Drawings of extrusions and accessories in these instructions are simplified and only approximate the actual shapes.



Cut the ends of the profiles (2) at an angle of 45°.



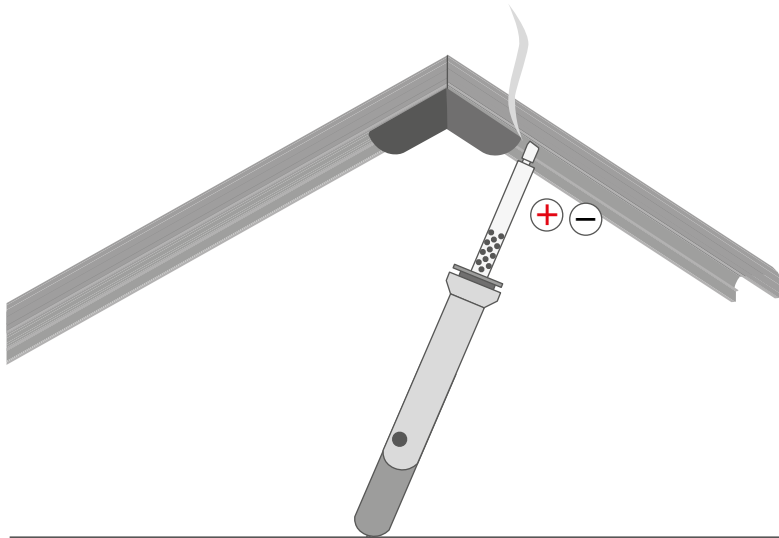
Cover the inner part of the PIKO-O-90 end cap with adhesive and mount it into both parts of the profile to connect them.



Adhere the LED tapes (3) and lead the power cable through the hole in the inner part of the end cap.

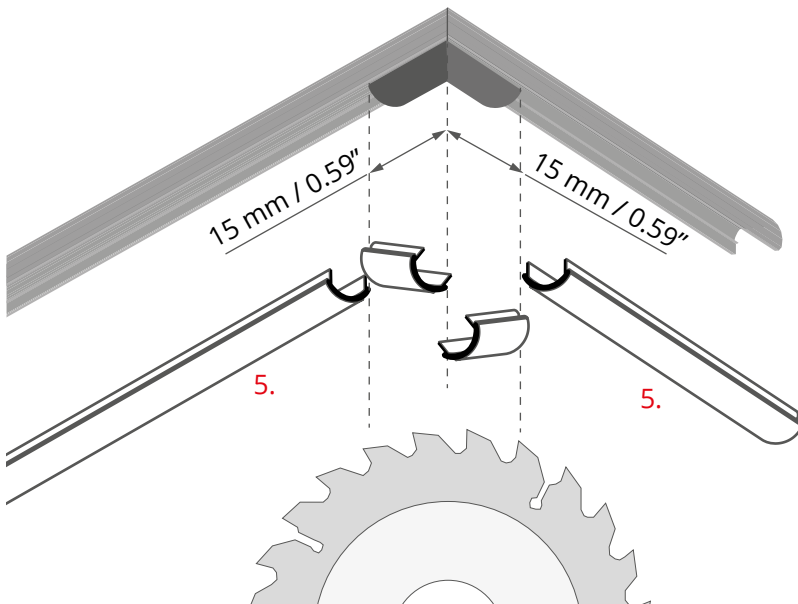
**NOTE!** Minimal length of the power cable: 30 mm / 1.18".

IV



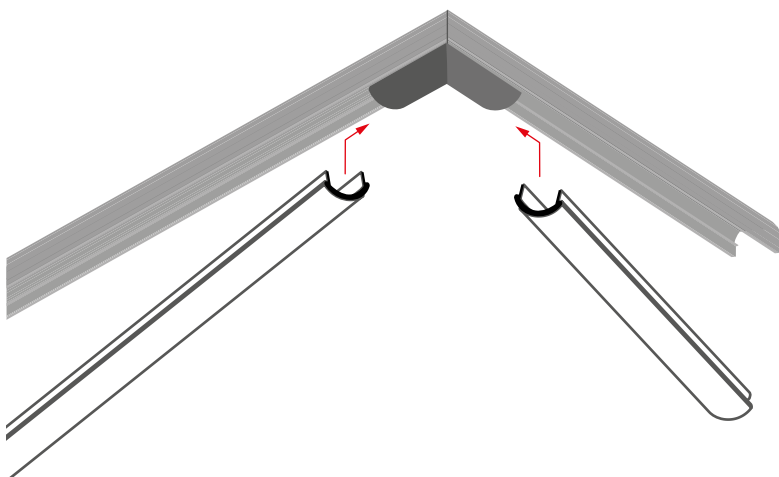
Solder the power cable to the LED tape.

V



Shorten the covers (5) by 15 mm / 0.59" in relation to the longer side of the profile.

VI



Mount the covers