

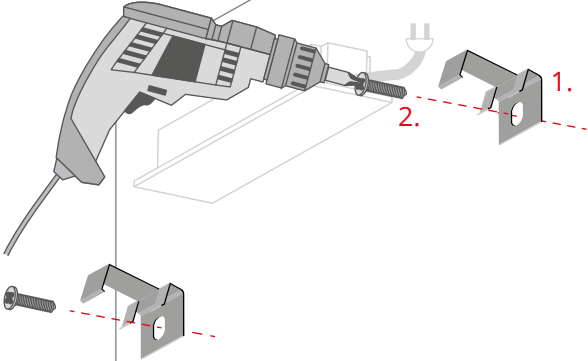
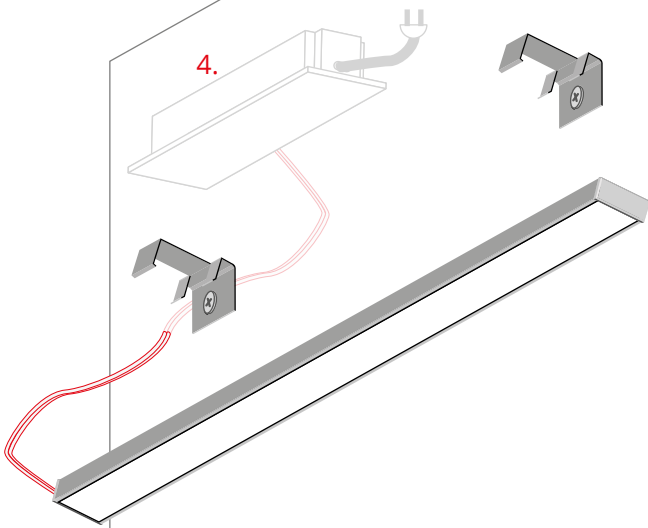
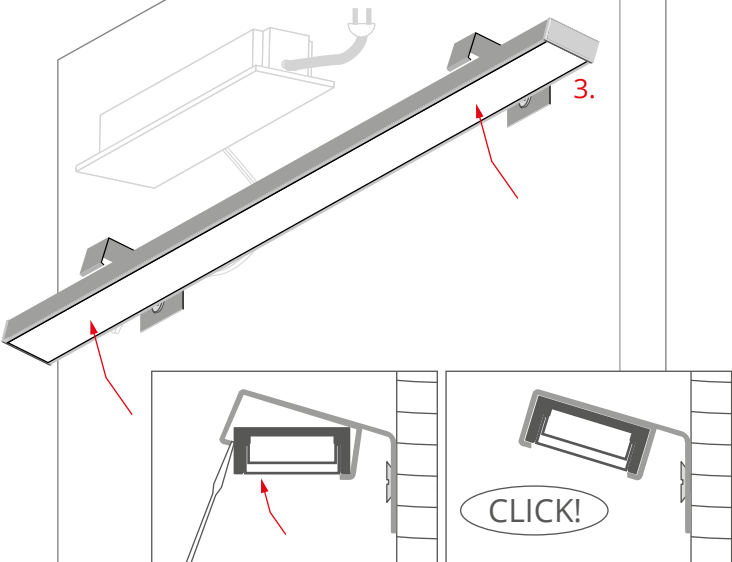
1. PDS-STN-ALFA Mounting bracket (product made to order)
2. Screw*
3. Lighting fixture*
4. Power supply (12 V / 24 V)*

*The full range of accessories and electronics is available at www.KlusDesign.eu

NOTE! All LED tapes must be connected to a 12 V or 24 V power supply.

IMPORTANT: Not all possible mounting procedures are presented here. More mounting procedures and related accessories can be found at www.KlusDesign.eu. Drawings of extrusions and accessories in these instructions are simplified and only approximate the actual shapes.

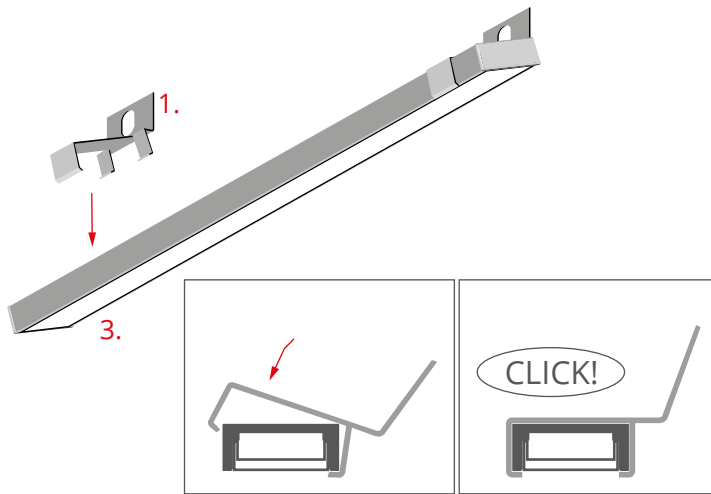
a) Mounting the fixture into mounting brackets screwed to the surface

<p>Ia</p> 		<p>Attach the mounting bracket (1) to the surface with appropriate screws (2) (not provided).</p>
<p>Ila</p> 		<p>Feed the power cable from the fixture to the power supply (4).</p>
<p>IIla</p> 		<p>Snap the lighting fixture (3) into the brackets.</p>

b) Installation of the fixture with brackets mounted on the profile

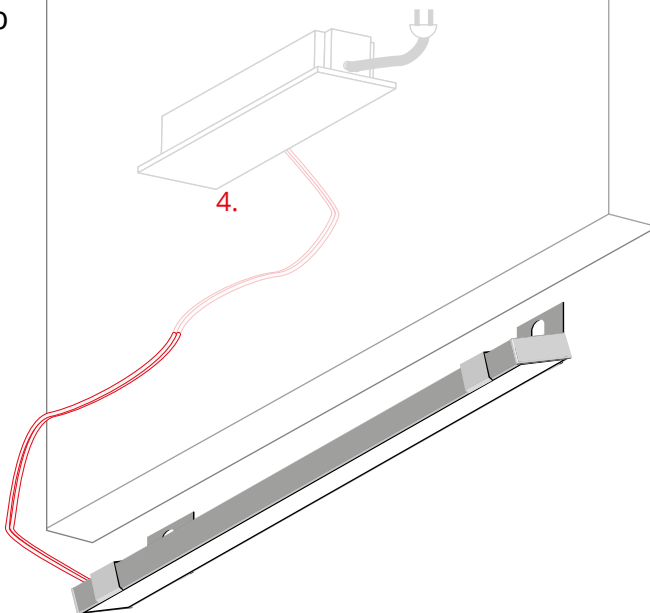
Ib

Attach mounting brackets (1) to the fixture (3).



IIb

Feed the power cable from the fixture to the power supply (4).



IIIb

Attach the fixture with brackets to the surface with appropriate screws (2) (not provided).

