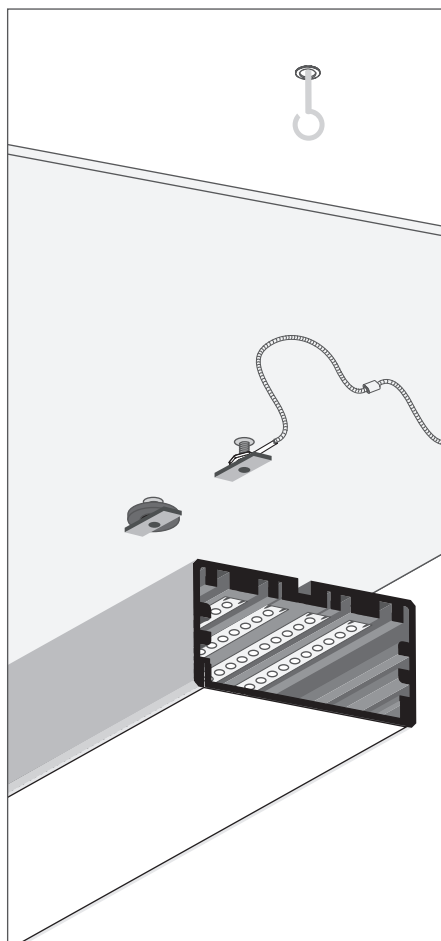
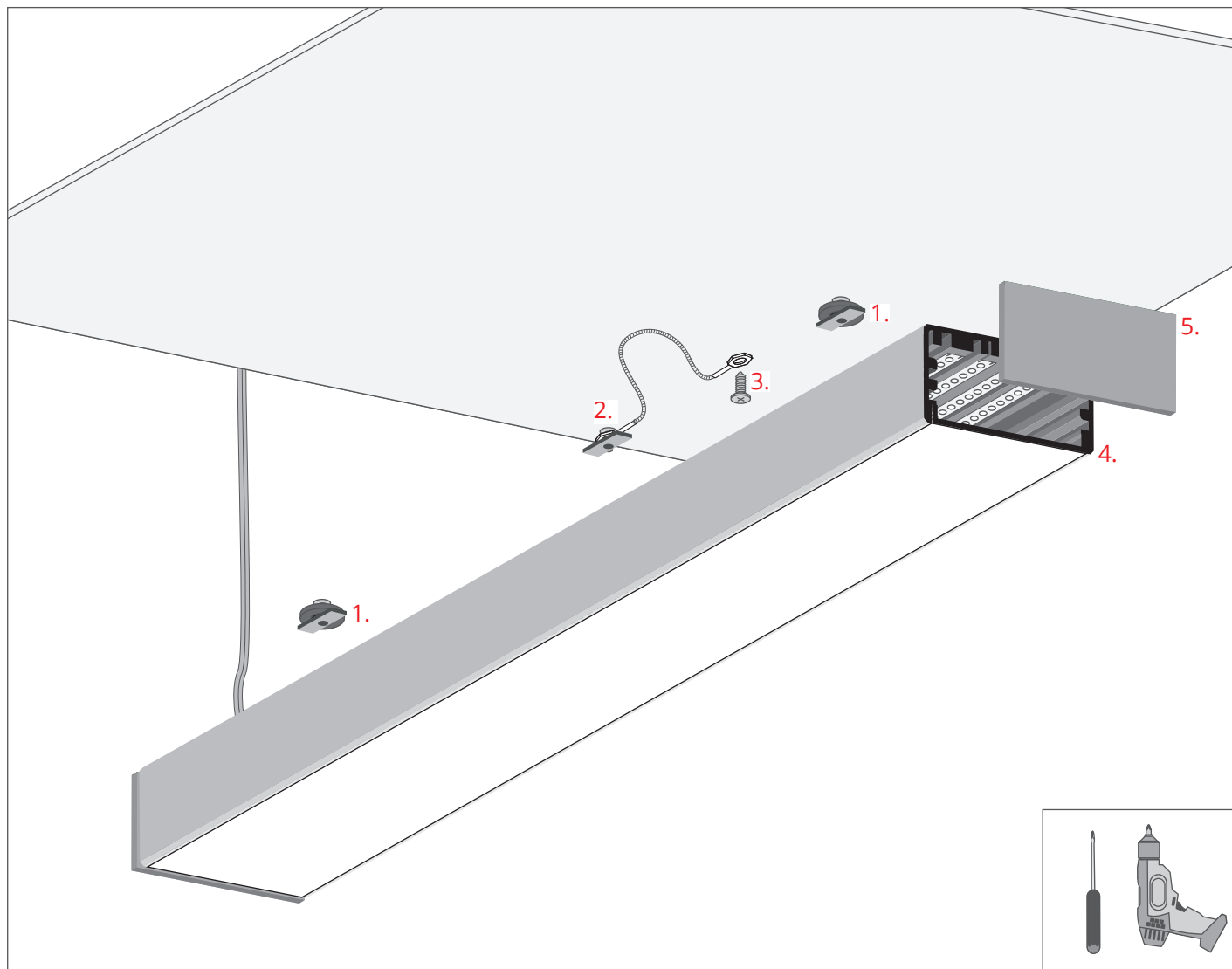


a) Installation with the ZM-1 security wire (secured directly to the mounting surface) - p. 2



b) Installation with the ZM-2 security wire (secured above the mounting surface) - p. 5

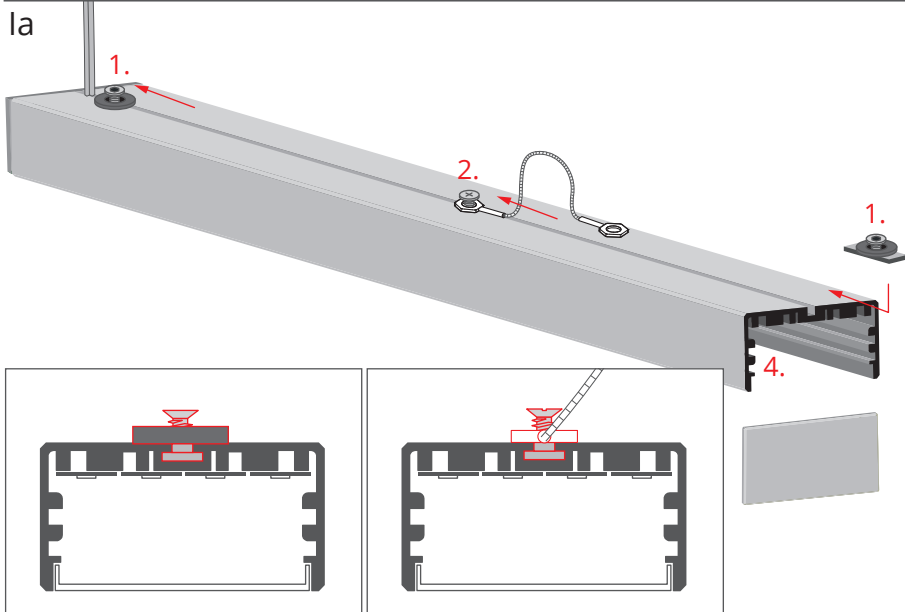


1. NEO-ZM-PLUS mounting bracket (ref. 42123)
2. ZM-1 securing wire (ref. 70520)
3. Sheet metal screw \varnothing 3 mm
4. Lighting fixture
5. End cap

* The full range of accessories and electronics is available at www.KlusDesign.eu

NOTE! All LED tapes must be connected to a 12 V or 24 V power supply.

IMPORTANT: Not all possible mounting procedures are presented here. More mounting procedures and related accessories can be found at www.KlusDesign.eu. Drawings of extrusions and accessories in these instructions are simplified and only approximate the actual shapes.



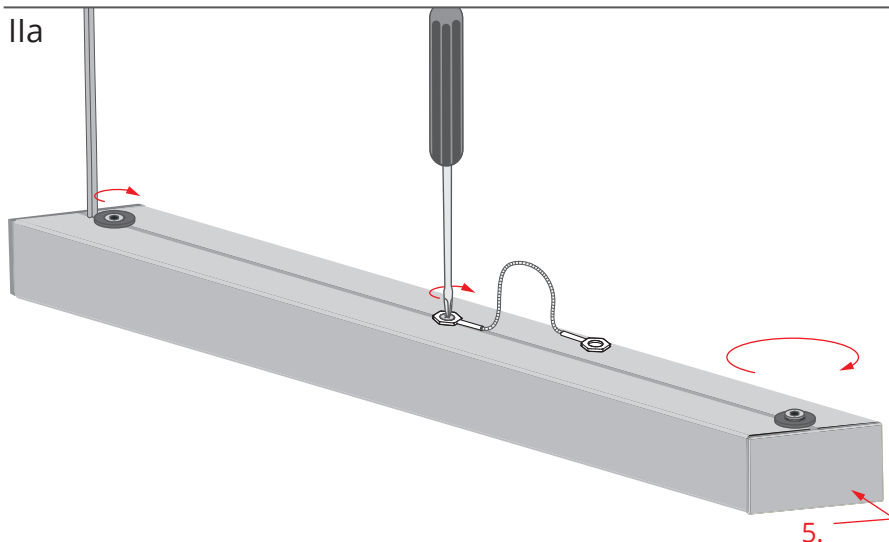
Place the NEO-ZM mounting brackets (1) and the ZM-1 security wire (2) in the channel on the back of the lighting fixture (4).

It is recommended to use:

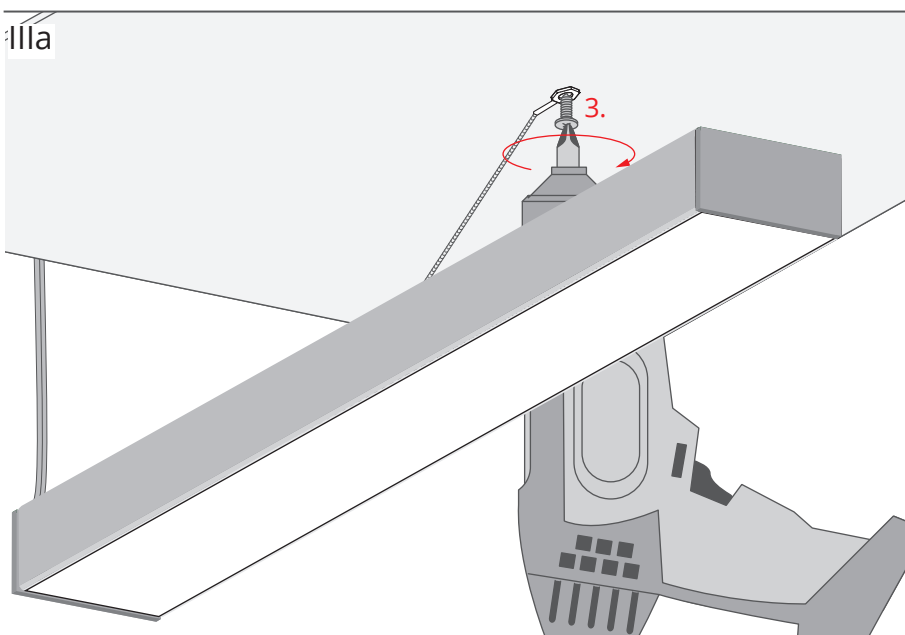
- 3 mounting brackets per 1 meter of fixture
 - 6 mounting brackets per 2 meters of fixture
 - 8 mounting brackets per 3 meters of fixture
- For medium fixtures up to two LED strips
- 4 mounting brackets per 1 meter of fixture
 - 7 mounting brackets per 2 meters of fixture
 - 10 mounting brackets per 3 meters of fixture
- For heavy fixtures with more than two LED strips

NOTE! For each additional 100 g / 3.5 oz of the lighting fixture another bracket must be used.

- 1 m of the security wire per 1 m of any profile wide enough to fit in two LED strips.

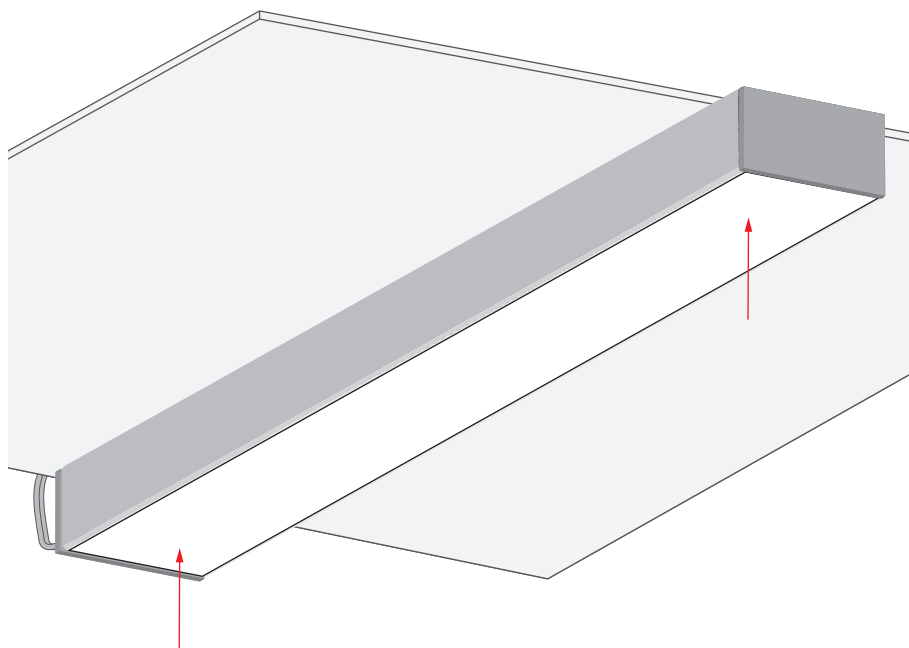


Tighten the mounted parts.
Attach the end cap (5).



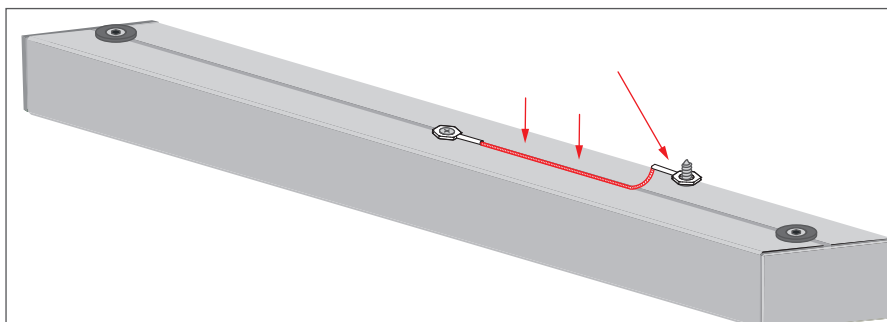
Screw the eye at the end of the wire to the ferromagnetic mounting surface using a \varnothing 3mm sheet metal screw (3). The eye should be aligned with the fixture.

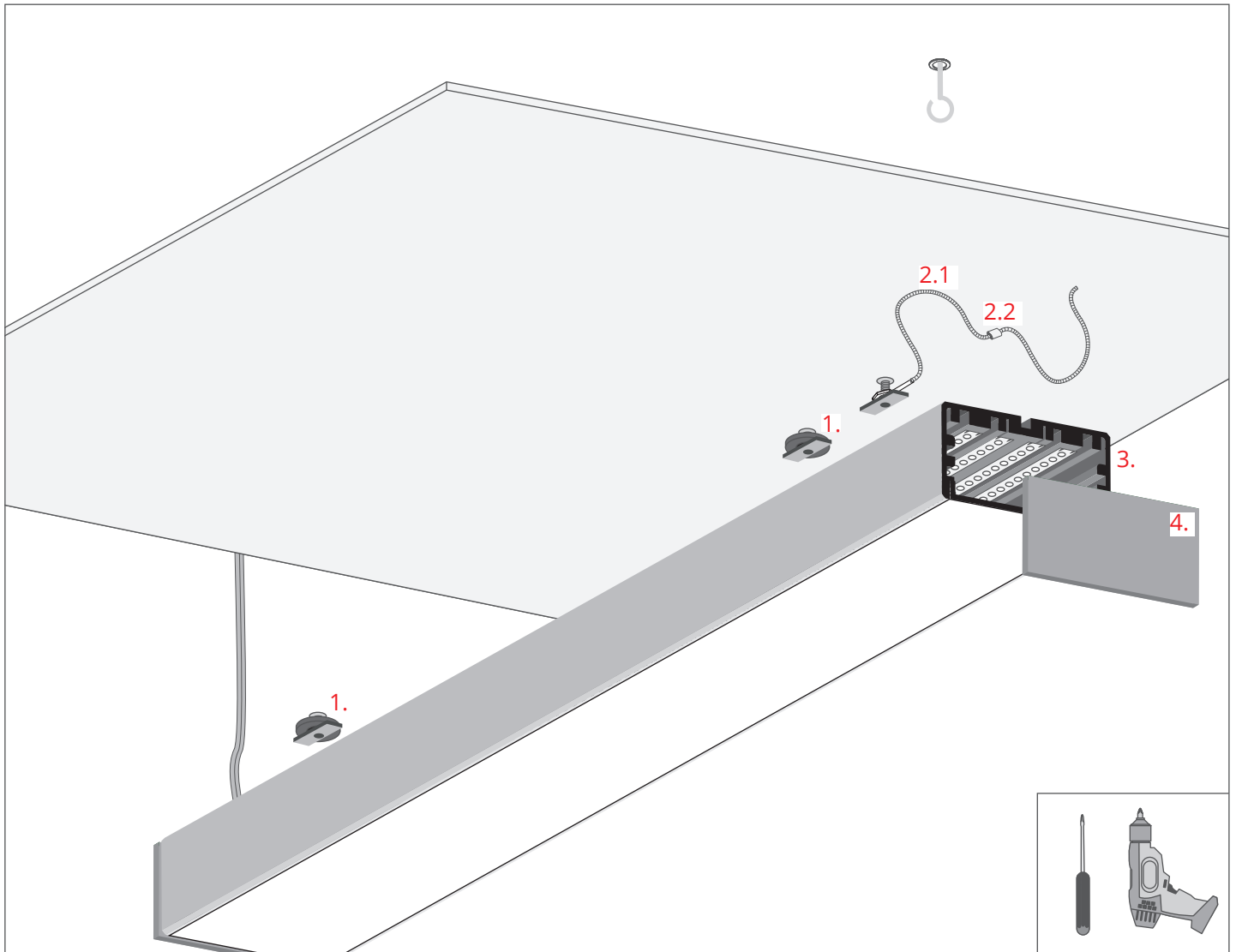
IVa



Put the fixture to the surface.
The magnets in the mounting brackets will keep the fixture in the desired position.

Place the securing wire in the channel on the back of the profile.



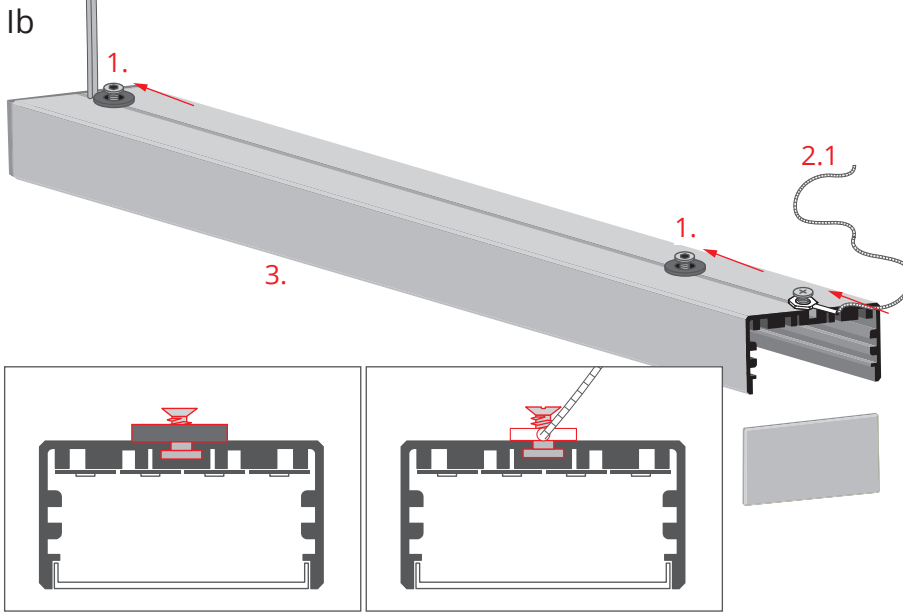


- 1. NEO-ZM-PLUS mounting bracket (ref. 42123)
 - 2.1 Security wire
 - 2.2 Crimp sleeve
 - 3. Lighting fixture
 - 4. End cap
- } ZM-2 security wire (ref. 70521)

* The full range of accessories and electronics is available at www.KlusDesign.eu

NOTE! All LED tapes must be connected to a 12 V or 24 V power supply.

IMPORTANT: Not all possible mounting procedures are presented here. More mounting procedures and related accessories can be found at www.KlusDesign.eu. Drawings of extrusions and accessories in these instructions are simplified and only approximate the actual shapes.



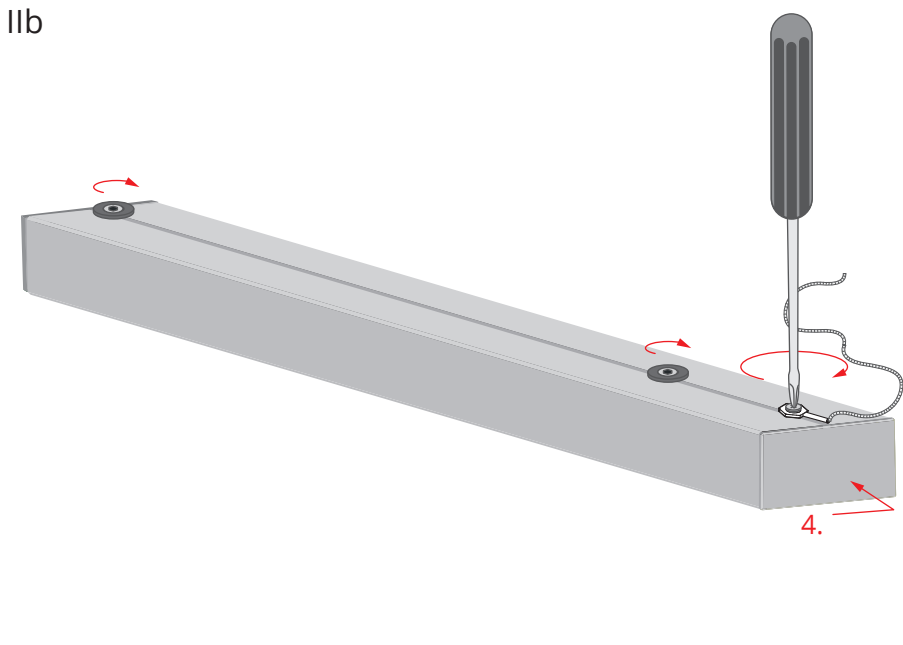
Place the NEO-ZM mounting brackets (1) and the security wire (2.1) in the channel on the back of the lighting fixture (3).

It is recommended to use:

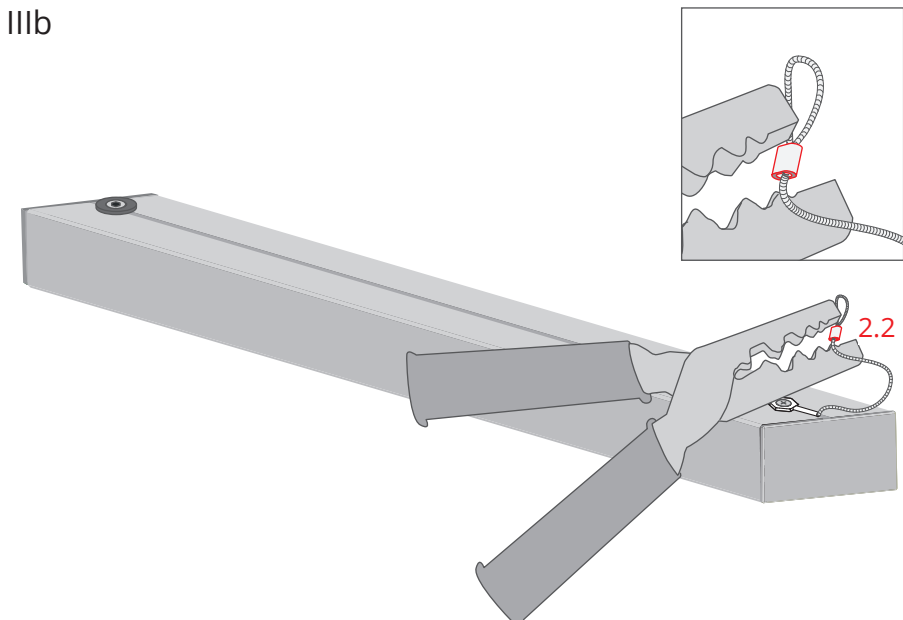
- 3 mounting brackets per 1 meter of fixture
 - 6 mounting brackets per 2 meters of fixture
 - 8 mounting brackets per 3 meters of fixture
- For medium fixtures up to two LED strips
- 4 mounting brackets per 1 meter of fixture
 - 7 mounting brackets per 2 meters of fixture
 - 10 mounting brackets per 3 meters of fixture
- For heavy fixtures with more than two LED strips

NOTE! For each additional 100 g / 3.5 oz of the lighting fixture another bracket must be used.

- 1 m of the security wire per 1 m of any profile wide enough to fit in two LED strips.

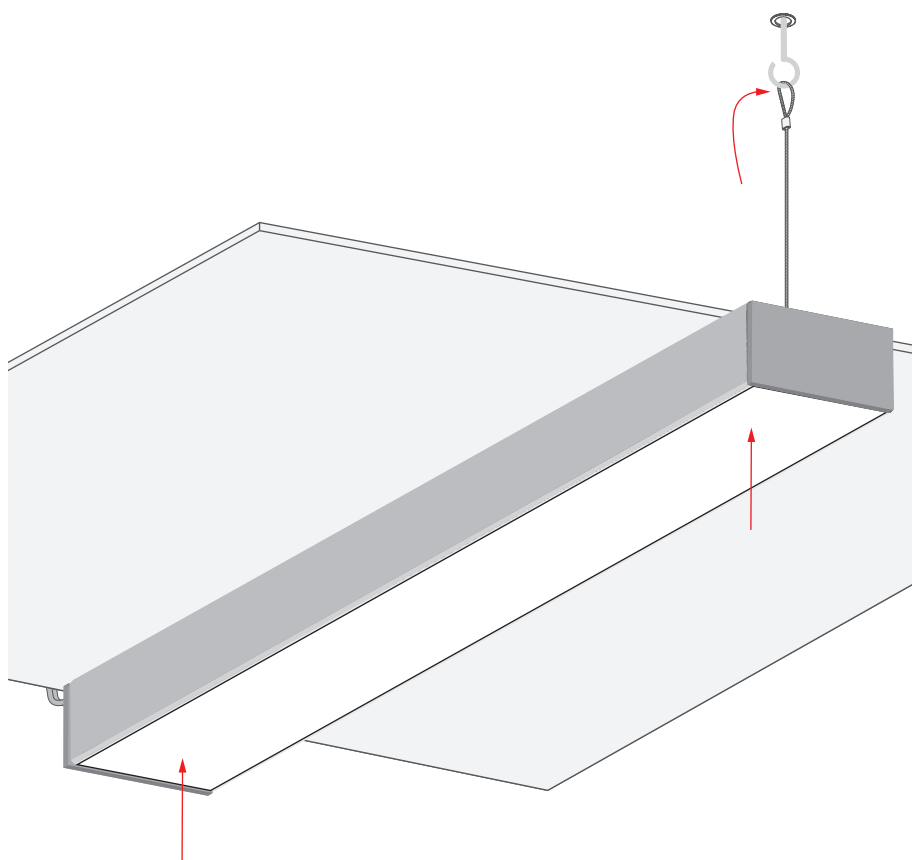


Tighten the mounted parts.
Attach the end cap (4).



Run the securing wire twice through the crimp sleeve (2.2) and crimp it with a crimping tool.

IVb



Put the fixture to the surface.
The magnets in the fasteners will hold the fixture in the desired position.

Hang the security wire on a properly selected fastener.