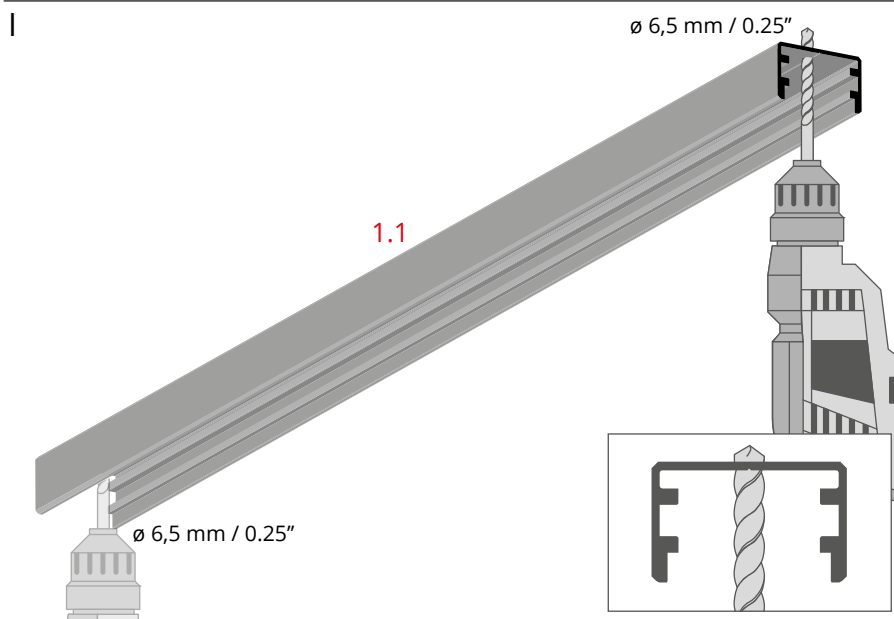


- 1.1 Profile
  - 1.2 End cap
  - 1.3 LED tape
  - 1.4 Cover
- Lighting fixture
- 2.1 Threaded bolt
  - 2.2 Base
  - 2.3 Head
  - 2.4 Pressure screw
- FI-8-LIN-MR silver (ref. 42287); black (ref. 42287L9005)
- 3. Steel cable with a conductive core\*
  - 4. Ceiling fastener\*
  - 5. Power supply (12 V / 24 V)\*

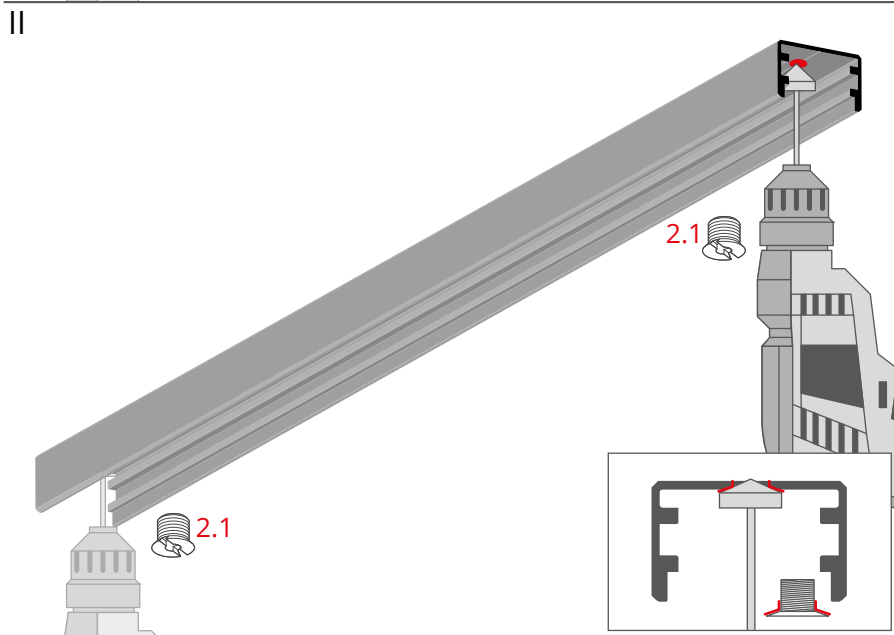
\*The full range of accessories and electronics is available at [www.KlusDesign.eu](http://www.KlusDesign.eu)

**NOTE!** All LED tapes must be connected to a 12 V or 24 V power supply.

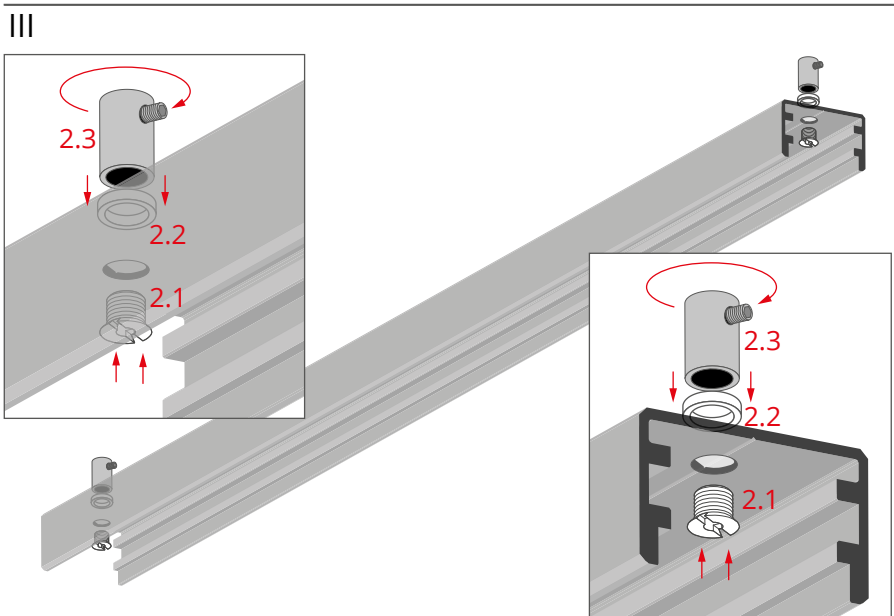
**IMPORTANT:** Not all possible mounting procedures are presented here. More mounting procedures and related accessories can be found at [www.KlusDesign.eu](http://www.KlusDesign.eu). Drawings of extrusions and accessories in these instructions are simplified and only approximate the actual shapes.



Drill holes in the profile (1.1) where the fasteners will be mounted.

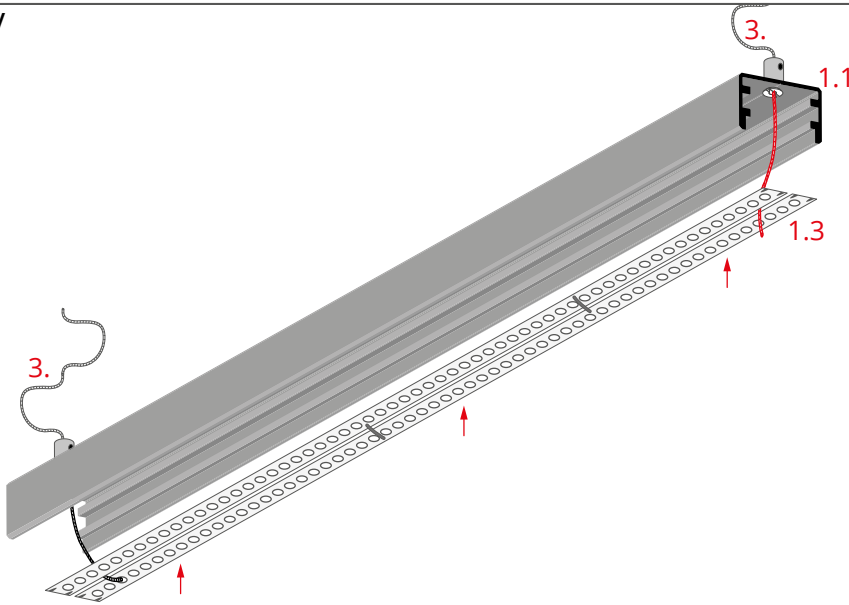


Chamfer the holes for threaded bolts (2.1).



Insert the threaded bolts (2.1) into the drilled holes, put bases (2.2) on them and screw the heads (2.3) onto them.

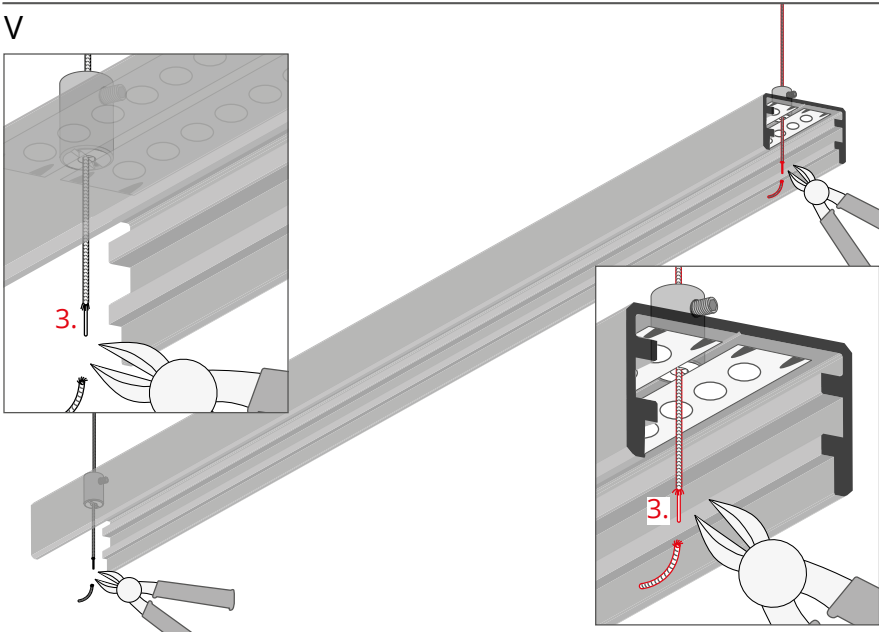
IV



Run the cables (3) through the fasteners into the profile.

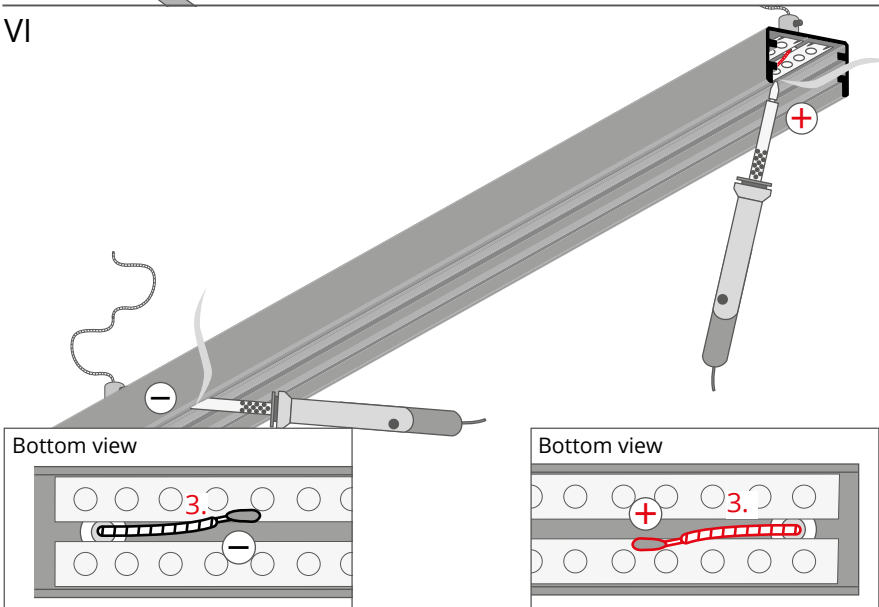
Adhere the LED tapes (1.3) in the profile (1.1) so that the cables are between them.

V



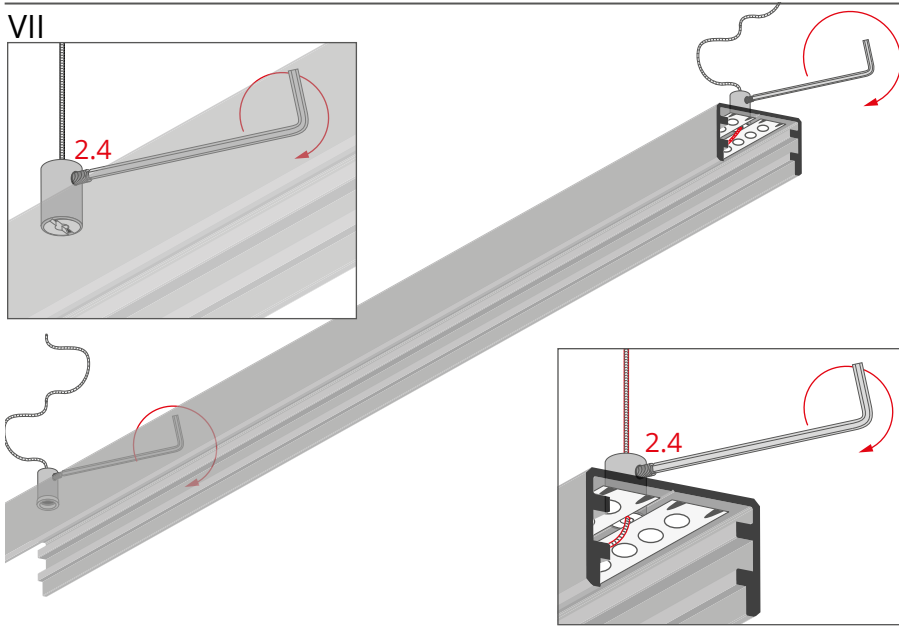
Expose the cable cores.

VI



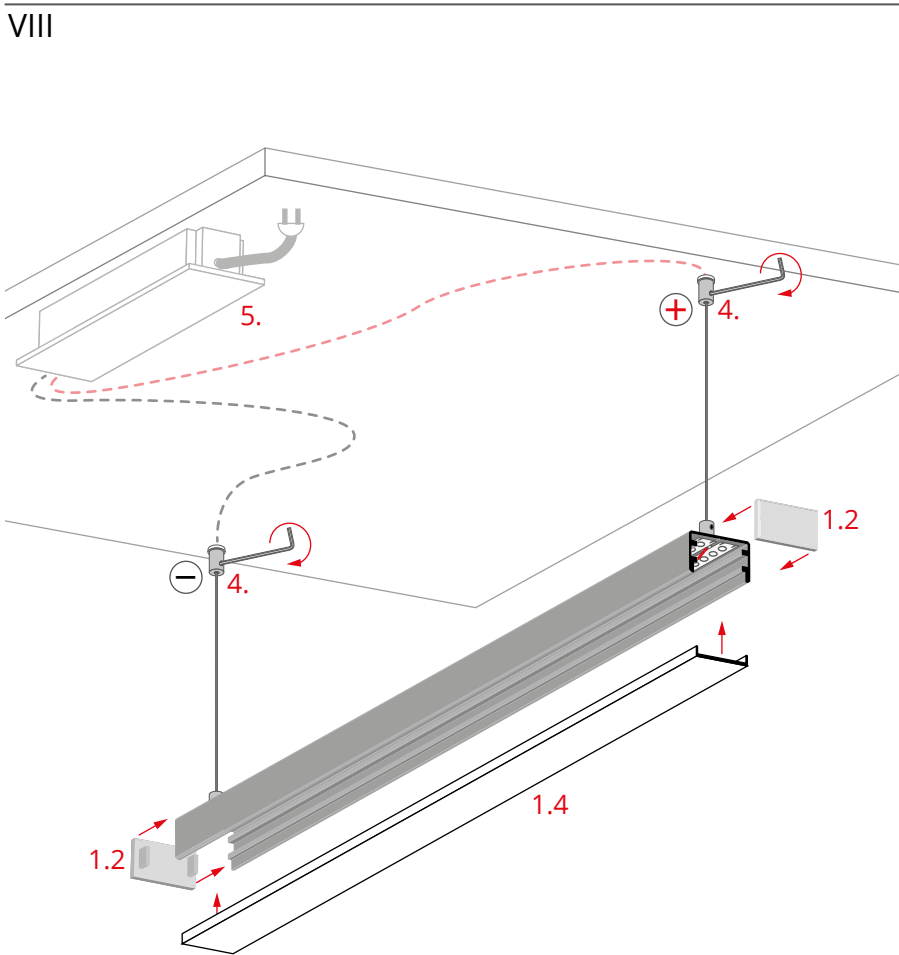
Solder the cables (3) to the LED tape.

VII



Lock the cables by tightening the pressure screws (2.4) in the heads of the fasteners.

VIII



Mount the cover (1.4) and the end caps (1.2). Suspend the lighting fixture from the ceiling fasteners (4). Connect the 12V / 24V power supply (5) to the ceiling fasteners.