

- 1. Lighting fixture
- 2.1 Bottom hook
- 2.2 Wire sliding block
- 2.3 Nut
- 2.4 Wire crimp
- 2.5 Ceiling bracket
- 3. Screw*
- 4. Wall anchor*
- 5. Wire*

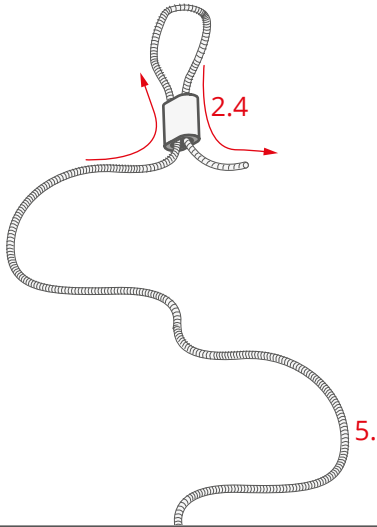
RD-3 set silver (ref. 42659NI), black (ref. 42659L9005), white (ref. 42659L9010), silver satin (ref. 42659GSS)

*Wire, screws and wall anchors are not included in the RD-4 set. Commonly available screws \varnothing 5 mm for a given type of surface should be used (wall, drywall, wood, sheet metal, etc.).

NOTE! All LED tapes must be connected to a 12 V or 24 V power supply.

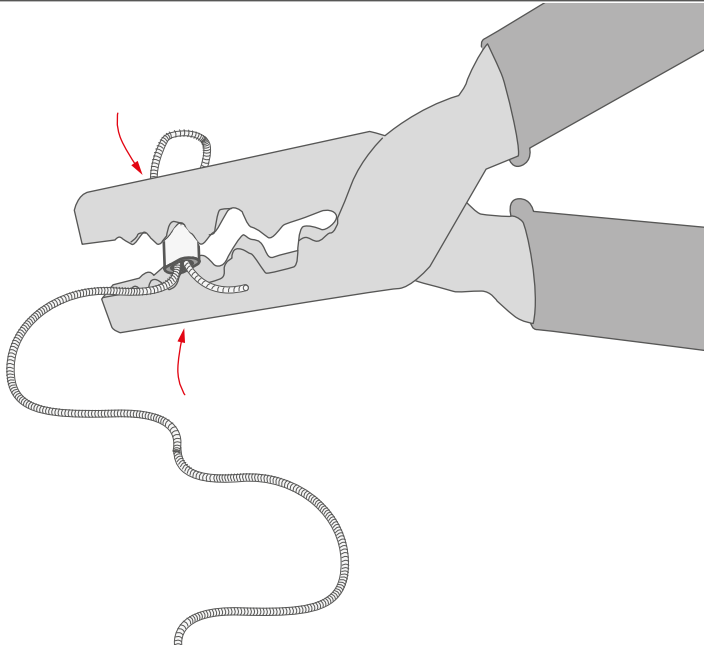
IMPORTANT: Not all possible mounting procedures are presented here. More mounting procedures and related accessories can be found at www.KlusDesign.eu. Drawings of extrusions and accessories in these instructions are simplified and only approximate the actual shapes.

I



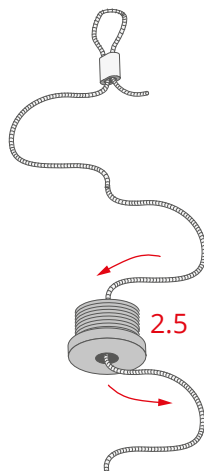
Loop the wire (5) through the wire crimp (2.5).

II



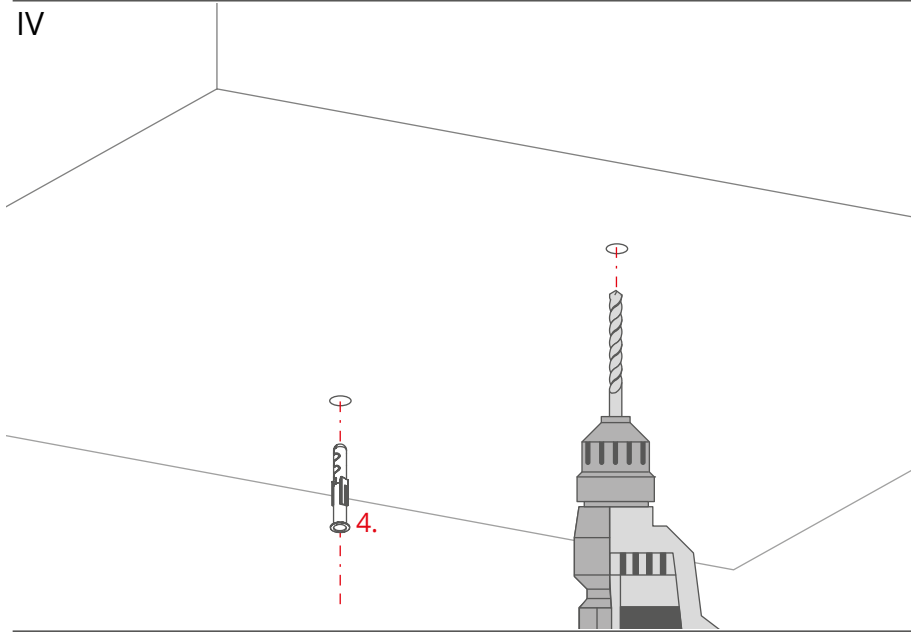
Squeeze the wire crimp.

III



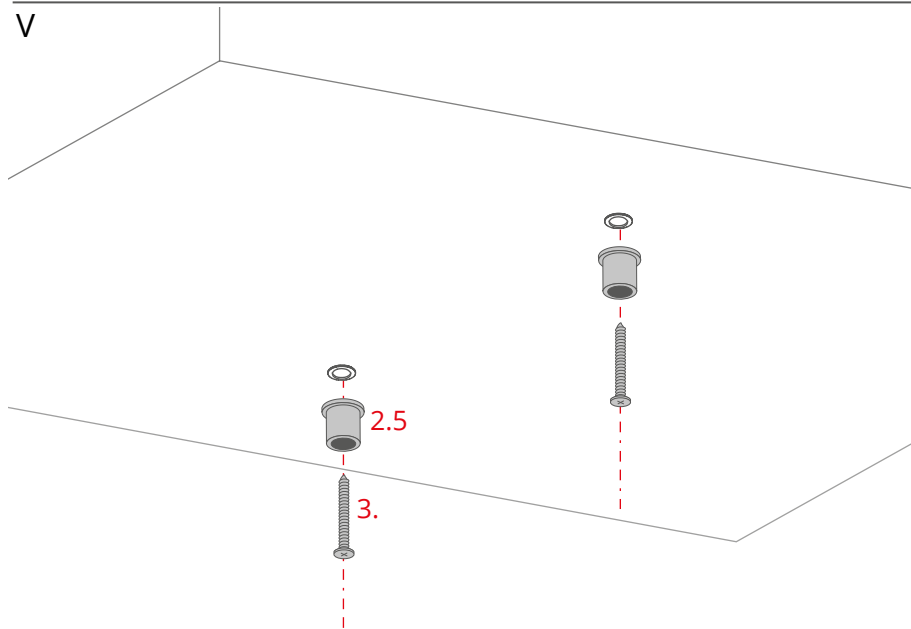
Lead the opposite end of the wire through the nut (2.5).

IV



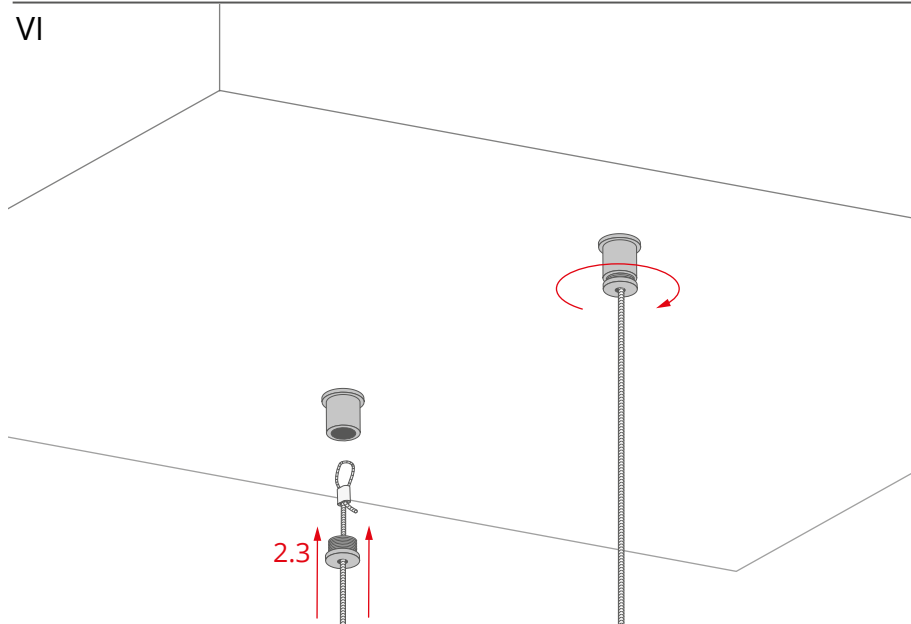
Prepare holes in the ceiling using appropriate wall anchors (4).

V



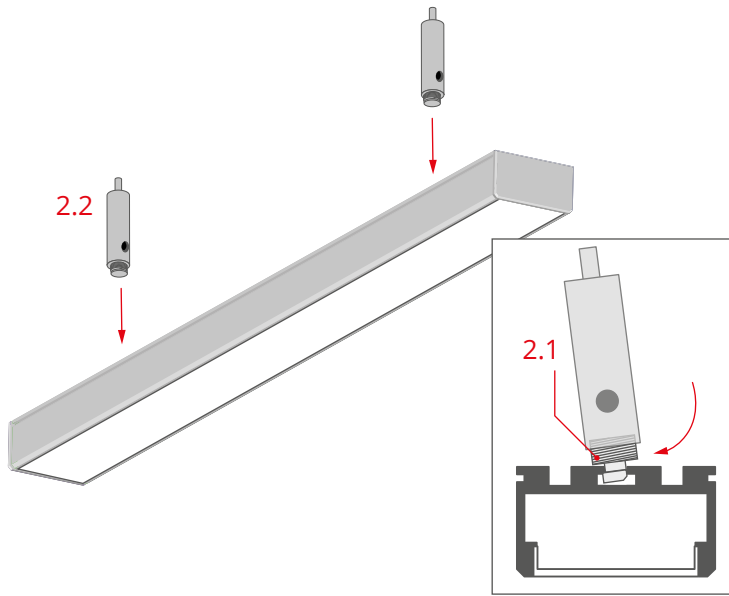
Mount the ceiling brackets (2.5) with appropriate screws (3).

VI



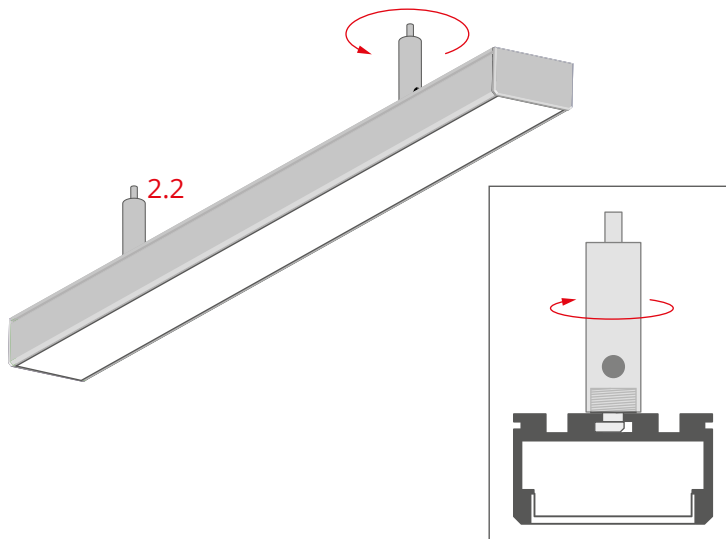
Screw the nuts (2.3) into the ceiling brackets.

VII



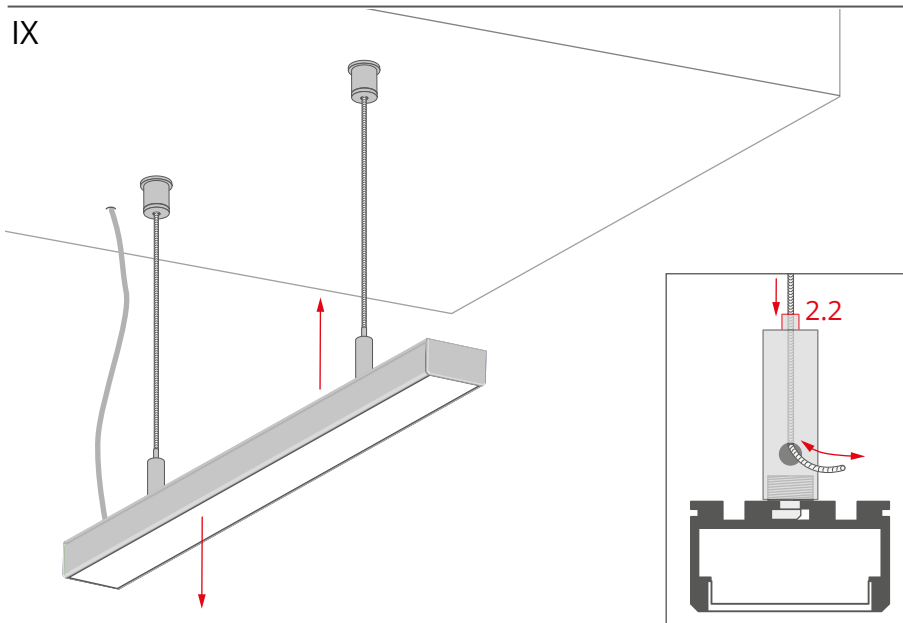
Fix the hooks (2) in the small channels.

VIII



Screw the wire blocks (3) onto the hooks.

IX



Suspend the lighting fixture and adjust the length of the wires with the blocks (3).

The hinges in the fasteners allow to tilt the suspended fixture up to the full 90.