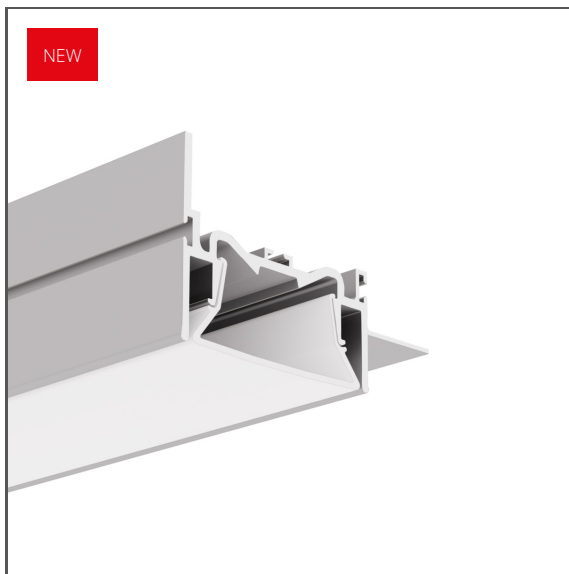


Profile FOLED-50-BOK

Ref. A0A57945

Ref. arch SA57945



- Installation of lighting and stretch films to walls
- High lumen output
- Mounting to 12,5 mm - 0.49" drywall
- Non visible aluminum elements
- Line of light flush with the surface

APPLICATION

- lighting recessed in surfaces made of stretch film and in drywall

MOUNTING

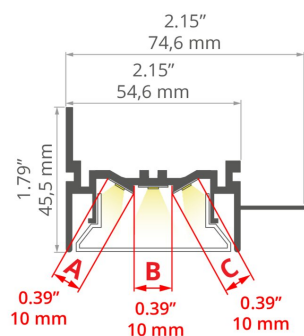
- to the surface, using properly selected screws
- can be easily connected into runs and systems

ADDITIONAL INFORMATION

- the profile has grooves for the attachment of the hooks from the stretch film
- standard lengths of KLUŚ profiles and covers: 1000 mm (tolerance ± 1.5 mm) and 2005 mm / 3010 mm (tolerance + 5 mm); for selected covers: 6050 mm, 10050 mm (tolerance + 5 mm)
- when choosing a different length of profiles / covers than available in the standard, you should additionally choose the cutting service at KLUŚ

TECHNICAL DRAWING

1:2



TECHNICAL SPECIFICATIONS

Material	aluminum
Color	■ silver non anodized
Width	74.6 mm
Height	45.5 mm
LED gluing width A	10 mm
LED gluing width B	10 mm
LED gluing width C	10 mm
Number of LED strips A (8 mm wide)	1
Number of LED strips B (8 mm wide)	1
Number of LED strips C (8 mm wide)	1
Possibility of obtaining a line of light	yes
Building type	Entertainment/ Arts, Commercial
Facility zone	office, lobby / foyer, conference room

Length	Ref
1000 mm	A0A57945N_1 SA57945NA_1
2005 mm	A0A57945N_2 SA57945NA_2
3010 mm	A0A57945N_3 SA57945NA_3

Profile FOLED-50-BOK


Ref. A0A57945

Ref. arch SA57945


SAMPLE PROJECTS



RELATED ACCESSORIES > RELATED COVERS

NAME	MATERIAL	MATERIAL TRANSMITTANCE	COLOR	REF.
FOLED-50	 PMMA	70 %	<input type="checkbox"/> frosted	B17171M 17171

RELATED ACCESSORIES > RELATED END CAPS

NAME	MATERIAL	COLOR	REF.
FOLED-50-W	 PMMA	<input type="checkbox"/> white	C24294C02 24294

RELATED ACCESSORIES > OTHER RELATED ACCESSORIES > CONNECTORS



CONNECTOR
ZM-NA-120
C28242N00
Ref. arch 42729

RELATED ACCESSORIES > OTHER RELATED ACCESSORIES > OTHER

Profile FOLED-50-BOK

Ref. A0A57945

Ref. arch SA57945



GLAND

6x1,2

C24517C07

Ref. arch 00802