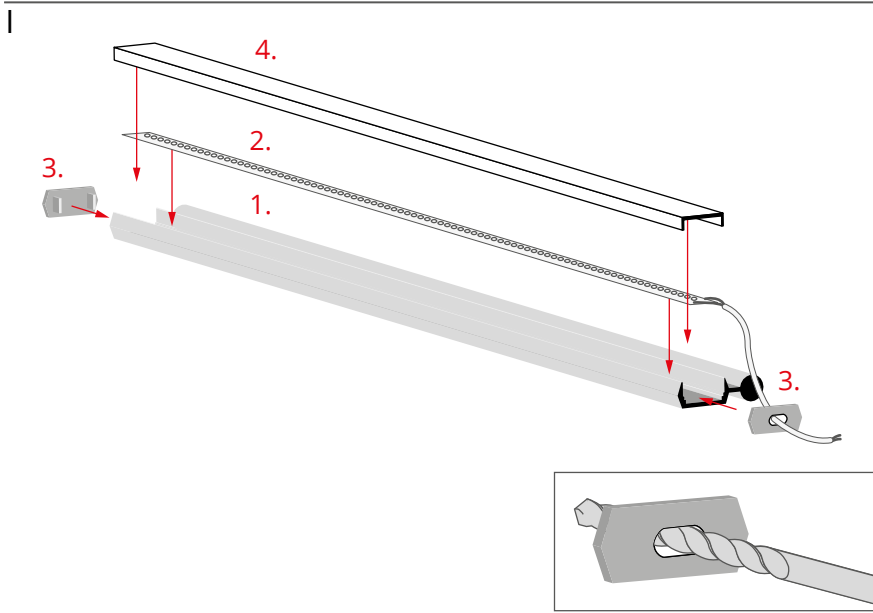


1. POLI profile (Ref. B7176)
2. LED strip
3. End cap*
4. Cover*
5. Mounting bracket*
6. Power supply (12 V / 24 V)*

*The full range of accessories and electronics is available at www.KlusDesign.eu

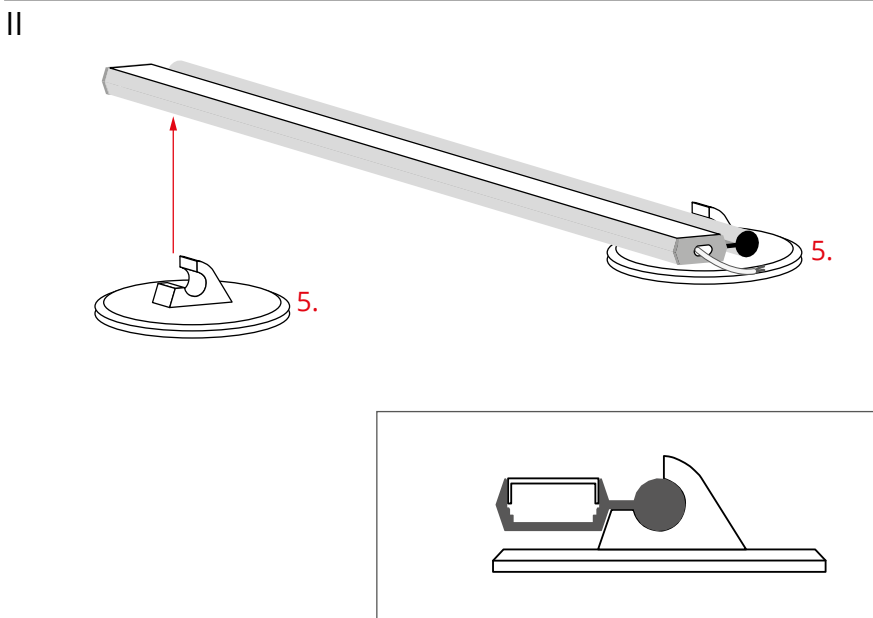
NOTE! All LED tapes must be connected to a 12 V or 24 V power supply.

IMPORTANT: Not all possible mounting procedures are presented here. More mounting procedures and related accessories can be found at www.KlusDesign.eu. Drawings of extrusions and accessories in these instructions are simplified and only approximate the actual shapes.



Mount the LED strip (2), into the profile (1). Insert the cover (4), and then the end caps (3).

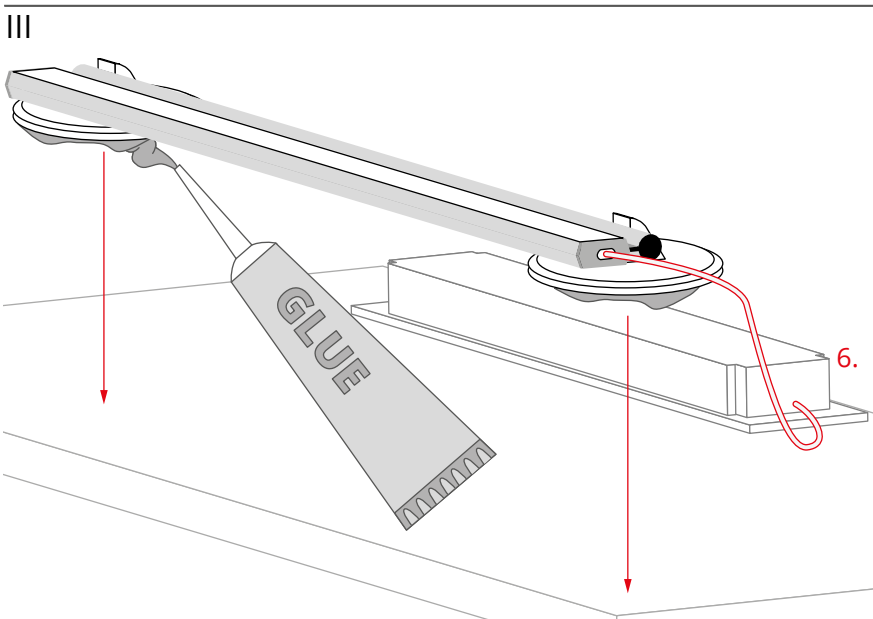
In order to lead the LED strip's cable out of the profile, drill a hole in the end cap.



Attach the mounting brackets (5) to the profile.

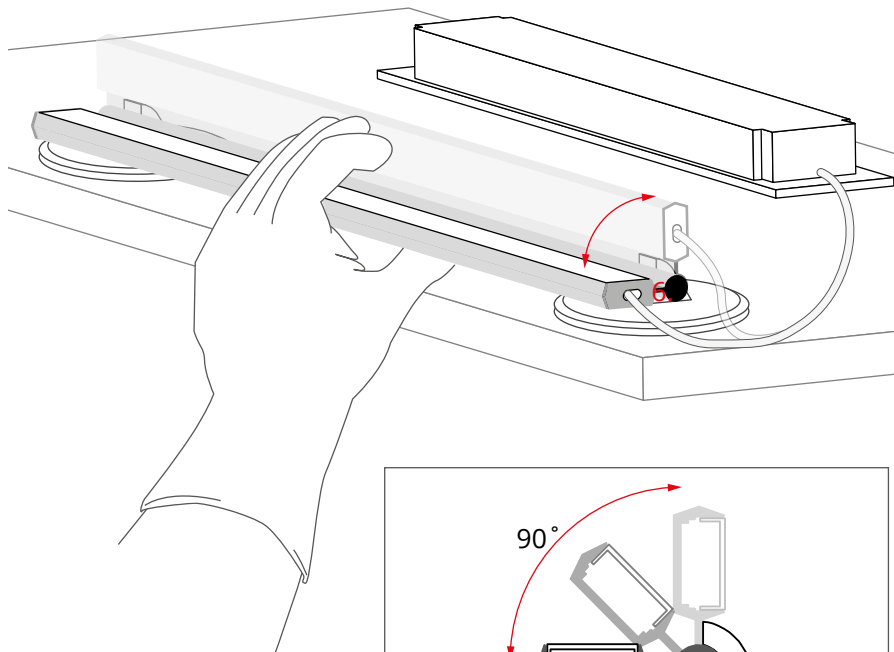
It is recommended to use the following amounts of brackets:

- 2 pcs. for 1m of the profile
- 3 pcs. for 2m of the profile
- 4 pcs. for 3m of the profile



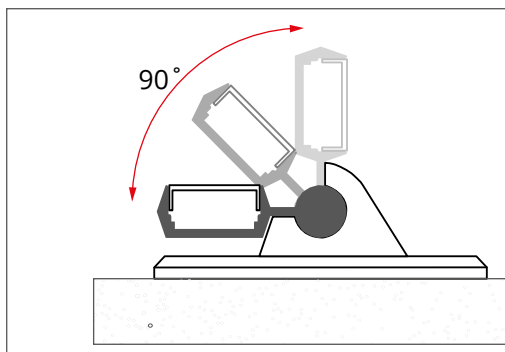
Apply adhesive to the bottom of the bases of the brackets and adhere the whole assembly to the surface. Connect the cable to the power supply (6).

IV



The lighting direction of the profile mounted in the brackets can be adjusted in the range of 90°.

You can also mount a profile in the mounting brackets in the opposite direction. Adjustment is still possible in the range of 90°.



Optional

