

## PRODUCT DESCRIPTION

- Easy to mount, no tools required
- Compatible with standard fastenings of suspended ceilings

### FINISH :

Non anodized (raw) 

\*Custom colors available upon request



Fill empty fields

Product nr.

Fixture type

Company

Job name

Date

## TECHNICAL SPECIFICATION

### Application

- for connecting the FOLED profile with a standard spring of suspension systems

### Assembly

- FOLHAK is inserted into the small lock of the FOLED extrusion on one side, and on the other into the spring of a suspension system

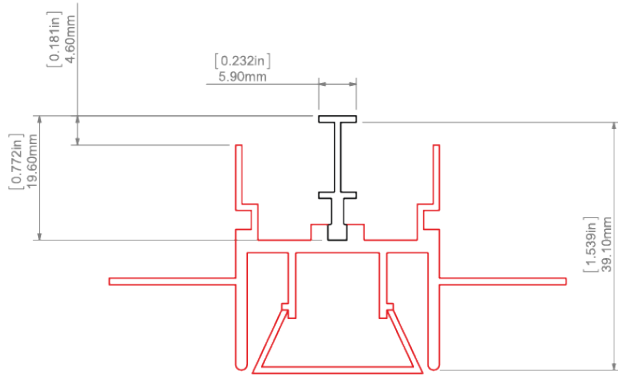
### Additional information

- can be used in sections of 20 cm

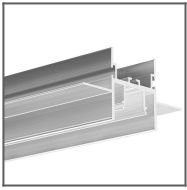
## AVAILABLE LENGTHS

Ref. nr.	surface finish	available lengths
B8338NA_1	Non anodized (raw)	1000 mm
B8338NA_2	Non anodized (raw)	2000 mm

## TECHNICAL DRAWING



**RELATED PROFILES**



FOLED Profile  
Ref: B8332V1

## RELATED PRODUCTS

## MARKETING MATERIALS



Presentation set 7  
Ref: 90126