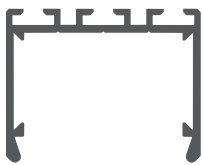


Parts needed to mount the 3035-O extrusion



Extrusion (A)



Cover (B)



LED strip (C)



End cap (D)

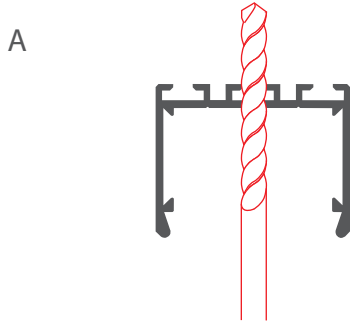
Tools needed for mounting:

- drill
- screwdriver

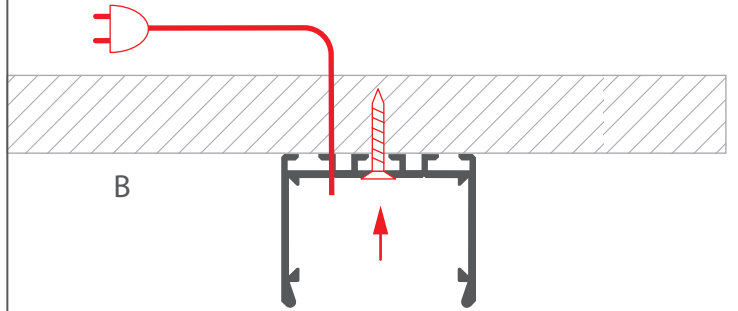
NOTE! All LED strips must be connected to a 12 V or 24 V power supply.

IMPORTANT: The manual presents the simplest mounting procedure.
More mounting procedures and related accessories can be found at www.klusdesign.eu

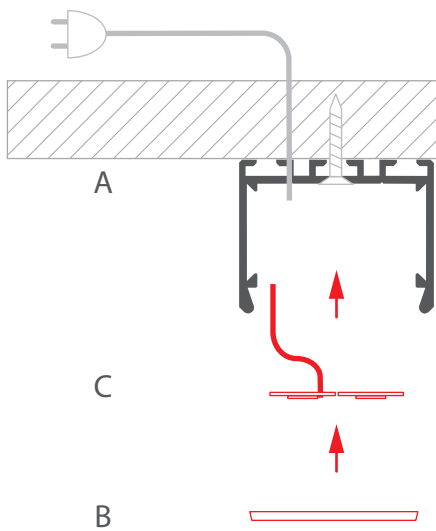
1. Drill a hole in the extrusion (A).



2. Feed the power cable and attach the extrusion (A) to the mounting surface with screws.



3. Mount the LED strip (C) and connect the wires. Insert the cover (B).



4. Mount the end caps (D).

