

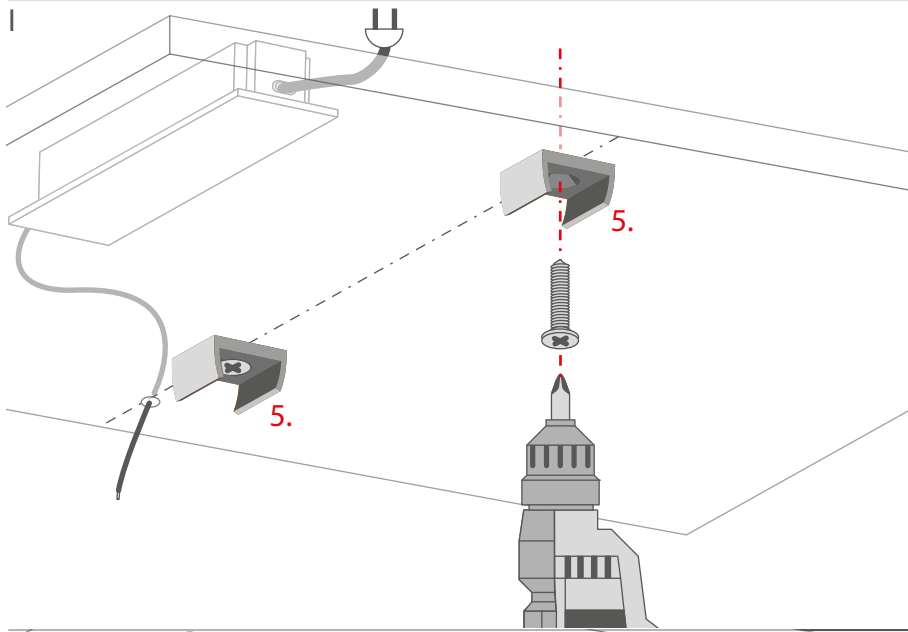
- 1. PDS-4-PLUS extrusion (Ref. C1263)
- 2. End cap*
- 3. LED strip*
- 4. Cover*
- 5. Mounting bracket*
- 6. Countersunk screw (6-8 mm / 0.24-0.31")
- 7. Gland*
- 8. Power supply (12 V / 24 V)*

*The selection of electronics and types of accessories available on www.KlusDesign.eu

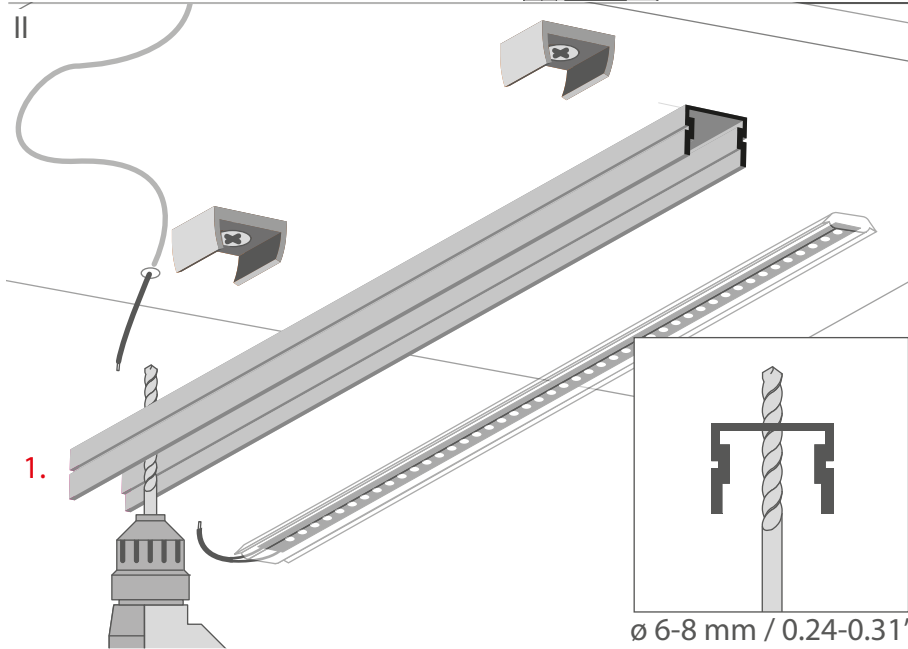
NOTE! All LED strips must be connected to a 12 V or 24 V power supply.

IMPORTANT: The manual does not present all methods of montage. Other related accessories with instructions of their mounting procedures available at www.KlusDesign.eu. Drawings of extrusions and accessories in this manual are simplified and only approximately represent the real shapes.

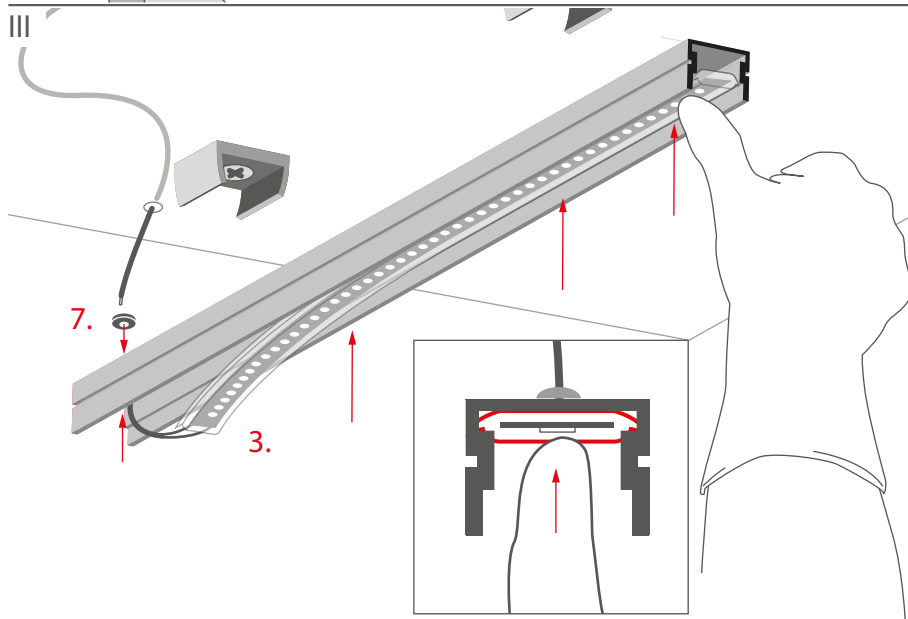
Turn off LED lights during peak day light hours in outdoor applications to avoid excessive heat buildup which will result in diminished LED life.



Screw the mounting brackets (5) to the surface.

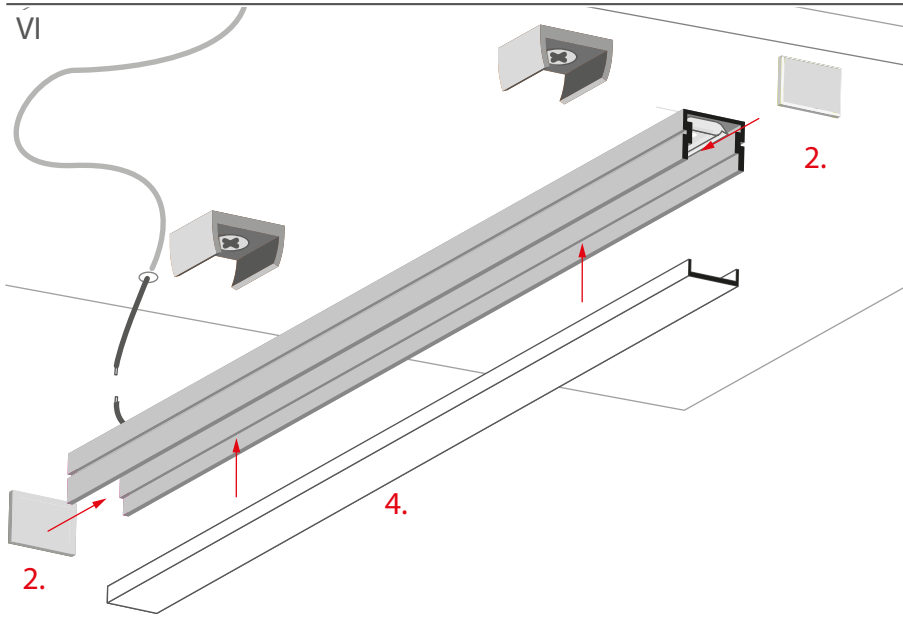


Drill a hole for the power cord in the PDS-4-PLUS extrusion (1).

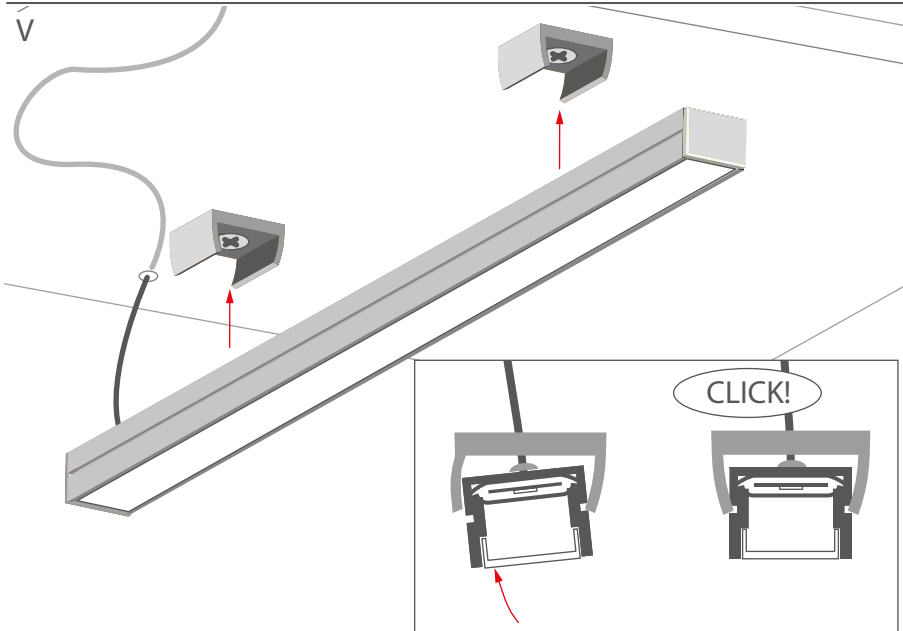


Mount the gland (7) and run the power cord through the drilled hole.

Insert the 8-KLIK sleeve (3) into the extrusion.



Attach the end caps (2) and the cover.



Connect the power and insert the lighting fixture into the mounting brackets.

LED strip must be connected to a 12 V or 24 V power supply.