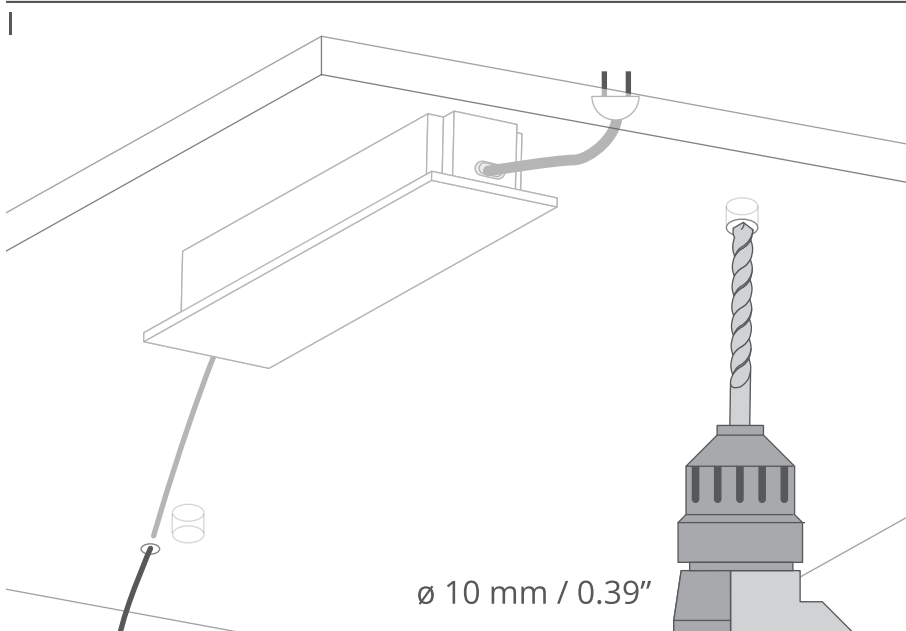


- 1. PDS-ZMG extrusion (Ref. C1418)
- 2. LED strip\*
- 3. Surface mounting spring\*
- 4. Gland\*
- 5. End cap\*
- 6. Cover\*
- 7.1 Isolating base (element 7.1)\*
- 7.2 Isolating base (element 7.2)\*
- 8. Power supply (12 V / 24 V)\*

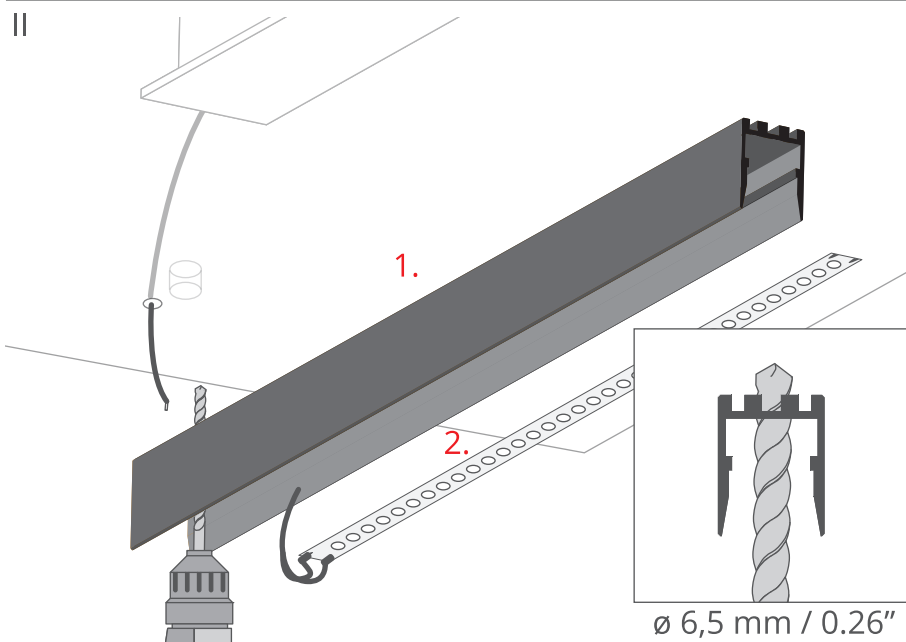
\*The full range of accessories and electronics is available at [www.KlusDesign.eu](http://www.KlusDesign.eu)

**NOTE!** All LED strips must be connected to a 12 V or 24 V power supply.

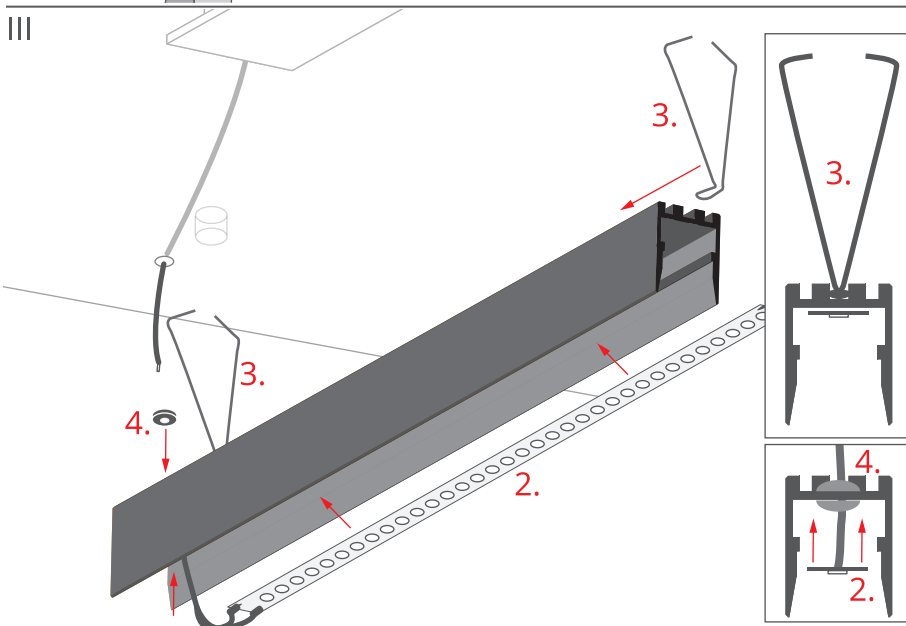
**IMPORTANT:** Not all possible mounting procedures are presented here. More mounting procedures and related accessories can be found at [www.KlusDesign.eu](http://www.KlusDesign.eu). Drawings of extrusions and accessories in these instructions are simplified and only approximate the actual shapes.



Drill 10 mm / 0.39" holes in the ceiling panel.



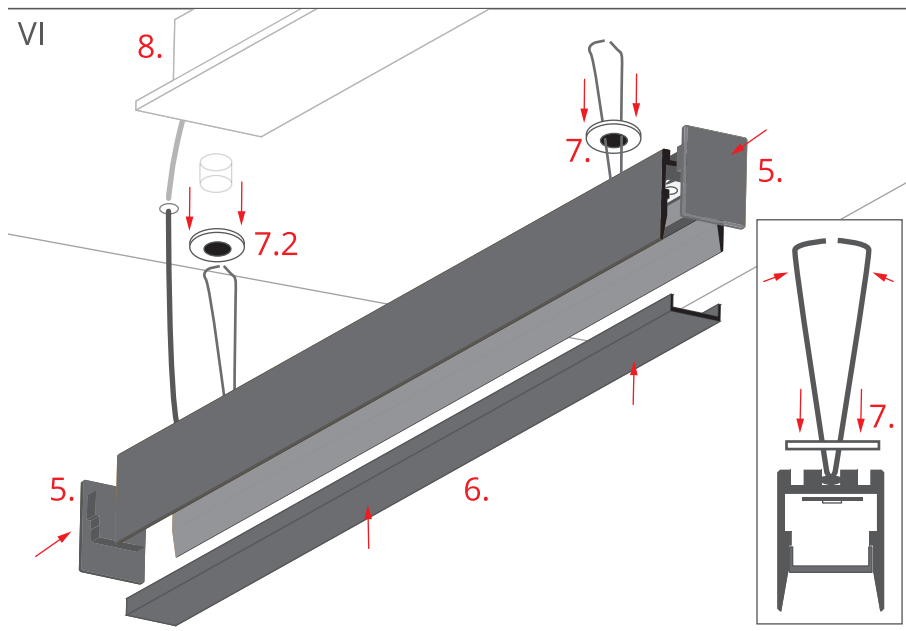
Drill a hole in the extrusion (1) to fit the gland and run the LED strip power cable (2).



Adhere the LED strip (2) in the extrusion.

Insert the surface mounting springs (3) into the channels (small locks) on the back of the extrusion.

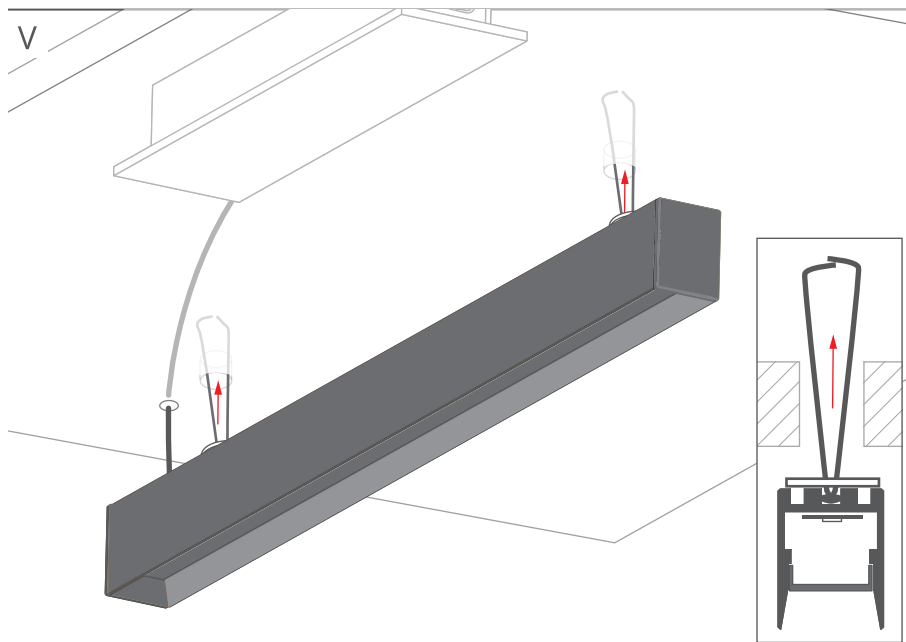
Fit the gland (4) in the drilled hole and pull the LED strip power cable through it.



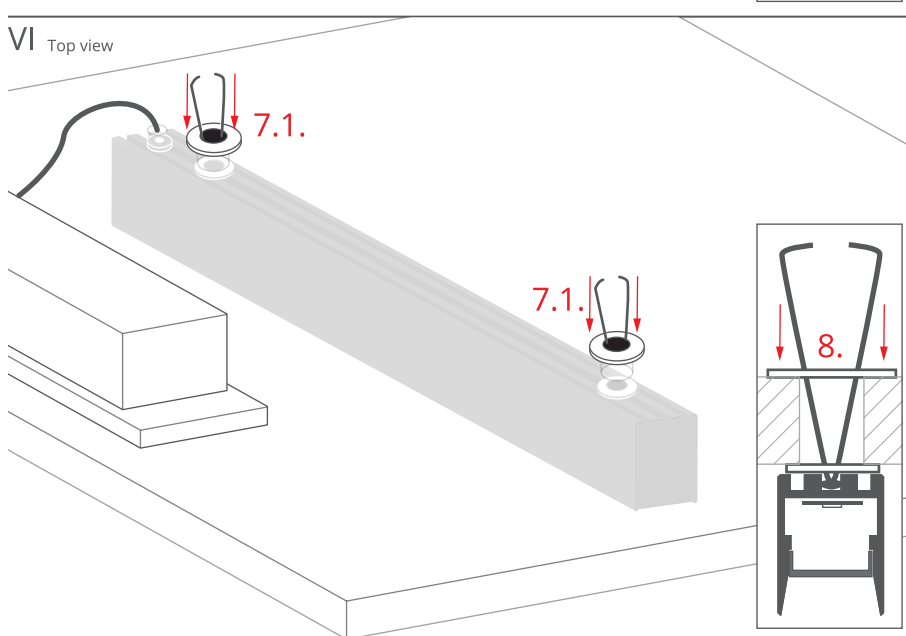
Attach the cover (6) and the end caps (5).

Slide the isolating bases (7.2) onto the surface mounting springs and press them against the back of the extrusion.

Connect the power cable to the power supply 12 V / 24 V (8).



Insert the springs into the holes drilled in the ceiling panel and press the fixture to the ceiling.



Slide the isolating bases (7.1) onto the spring arms protruding from the holes on the inside of the ceiling panel.