

## PRODUCT DESCRIPTION

Mounting track designed for mounting in-ground lighting fixtures built from HR-MAX profiles.

- Mounting track
- Easy servicing of the HR-MAX profile
- For indoor/outdoor ground installation
- Compatibility with the HR-MAX-TW mounting track
- High mechanical resistance

FINISH :

Non anodized (raw) 

\*Custom colors available upon request



Fill empty fields

Product nr.

Fixture type

Company

Job name

Date

## TECHNICAL SPECIFICATION

### Application

- makes mounting and service of the HR-MAX profile easy

### Mounting

- in the ground, with mounting adhesive
- can be easily connected into runs
- possibility to connect to the HR-MAX-TW profile to make a mounting track with sections for cables and accessories at intervals

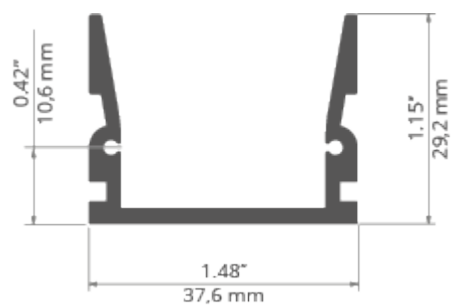
### Additional information

- in order to protect the lighting fixture during installation, a TECH-35 protective insert should be used

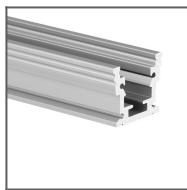
## AVAILABLE LENGTHS

Ref. nr.	surface finish	available lengths
C1827NA_1	Non anodized (raw)	1000 mm
C1827NA_2	Non anodized (raw)	2000 mm

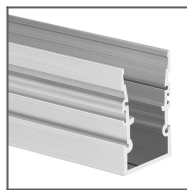
Ref. nr.	surface finish	available lengths
C1827NA_3	Non anodized (raw)	3000 mm

**TECHNICAL DRAWING**

## RELATED PROFILES



HR-MAX System  
Ref: C1829 (HR-  
MAX) + C1827  
(HR-MAX-T) +  
C1828 (HR-MAX-  
TW)



HR-MAX-TW  
Profile  
Ref: C1828

## RELATED PRODUCTS

### END CAPS

#### STEEL



HR-MAX-T-STN  
End cap  
Ref: 24389

### ACCESSORIES

#### COMPONENTS FOR CONNECTING PROFILES



ZM-NA-180  
Connector  
Ref: 42724

#### ADDITIONAL ITEMS



HR-MAX clip  
Ref: 24416