

PRODUCT DESCRIPTION

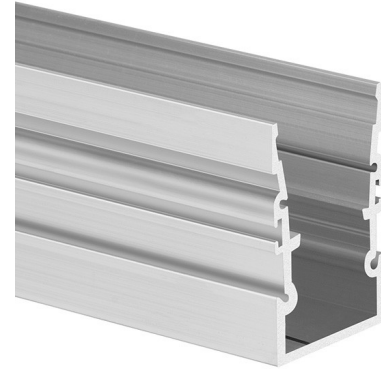
A deeper mounting track designed for mounting in-ground lighting fixtures, built from HR-MAX profiles.

- Mounting track
- Easy servicing of the HR-MAX profile
- For indoor/outdoor ground installation
- Cable management space
- Compatibility with the HR-MAX-T mounting track
- High mechanical resistance

FINISH :

Non anodized (raw) 

*Custom colors available upon request



Fill empty fields

Product nr.

Fixture type

Company

Job name

Date

TECHNICAL SPECIFICATION

Application

- makes mounting and service of the HR-MAX profile easy

Mounting

- in the ground, with mounting adhesive
- can be easily connected into runs
- possibility to connect to the HR-MAX-T profile to make a mounting track with sections for cables and accessories at intervals

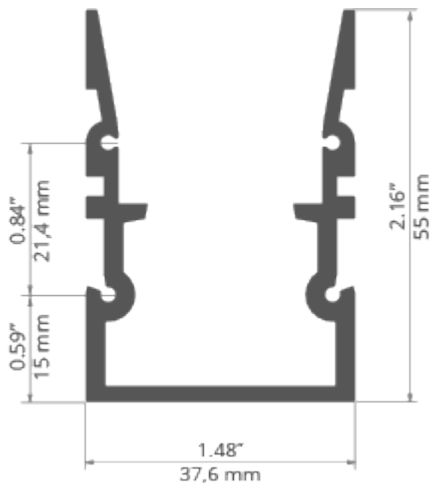
Additional information

- możliwość płynnego przejścia z oprawy wbudowanej w powierzchnię

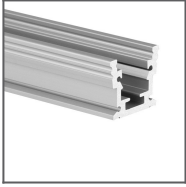
AVAILABLE LENGTHS

Ref. nr.	surface finish	available lengths
C1828NA_1	Non anodized (raw)	1000 mm

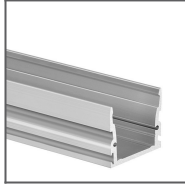
Ref. nr.	surface finish	available lengths
C1828NA_2	Non anodized (raw)	2000 mm
C1828NA_3	Non anodized (raw)	3000 mm

TECHNICAL DRAWING

RELATED PROFILES



HR-MAX System
Ref: C1829 (HR-
MAX) + C1827
(HR-MAX-T) +
C1828 (HR-MAX-
TW)



HR-MAX-T Profile
Ref: C1827

RELATED PRODUCTS

END CAPS

STEEL



HR-MAX-TK-STN
End cap
Ref: 24391

ACCESSORIES

COMPONENTS FOR CONNECTING PROFILES



ZM-NA-180
Connector
Ref: 42724

ADDITIONAL ITEMS



HR-MAX clip
Ref: 24416