

PRODUCT DESCRIPTION

- For indoor/outdoor ground installation
- Designed for IP68 and IK10 protection ratings
- Corrosion resistance at high salinity
- Corresponds to the width of the HR-OPTI facade system

FINISH :

Non anodized (raw) Silver anodized 

*Custom colors available upon request



Fill empty fields

Product nr.

Fixture type

Company

Job name

Date

TECHNICAL SPECIFICATION

Application

- warning and decorative lighting

Mounting

- in the ground, with mounting adhesive and a dedicated mounting track
- the cover is cut to the length of the profile

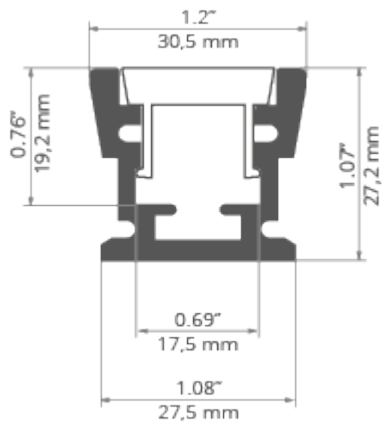
Additional information

- possibility of smooth transition from a recessed into a surface-mounted fixture
- use of clips facilitates the assembly of the lighting fixture
- compatible with a dedicated HR-MAX-T and HR-MAX-TW mounting tracks

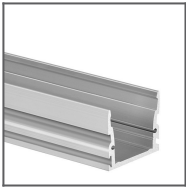
AVAILABLE LENGTHS

Ref. nr.	surface finish	available lengths
C1829ANODA_1	Silver anodized	1000 mm
C1829ANODA_2	Silver anodized	2000 mm

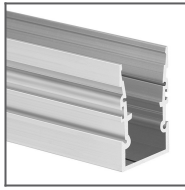
Ref. nr.	surface finish	available lengths
C1829ANODA_3	Silver anodized	3000 mm

TECHNICAL DRAWING

RELATED PROFILES



HR-MAX-T Profile
Ref: C1827



HR-MAX-TW
Profile
Ref: C1828

RELATED PRODUCTS

COVERS

SEMI-TRANSPARENT COVERS



HR-21 frosted
Cover
Ref: 17152

END CAPS

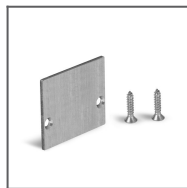
STEEL



HR-MAX-STN End
cap
Ref: 24388



HR-MAX-TK-STN
End cap
Ref: 24391



HR-MAX-T-STN
End cap
Ref: 24389

ACCESSORIES

SEALING COMPONENTS



Hermetic splitter
Ref: 42703



Hermetic coupler
Ref: 42702



M16 x 1.5 Gland
Ref: 00078

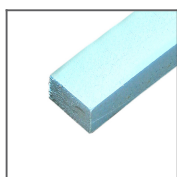


M16 x 1,5 - L90
Angular gland
Ref: 42289

ADDITIONAL ITEMS



HR-MAX clip
Ref: 24416



Pad for HR-MAX
profile
Ref: 70547