

- | | | |
|----------------------------------|---|------------------------|
| 1. HR-MAX lighting fixture | 4. Cable for a 12 V / 24 V power supply** | 10. End cap* |
| 2.1 Hermetic coupler (item 4.1)* | 5. HR-MAX-TW profile (Ref. C1828)*** | 11. End cap* |
| 2.2 Hermetic coupler (item 4.2)* | 6. HR-MAX-T profile (Ref. C1827)*** | 12. Screw* |
| 2.3 Hermetic coupler (item 4.3)* | 7. ZM Connector* | 13. Protective insert* |
| 3.1 Connector (item 3.1)* | 8. End cap* | 14. Mounting clip* |
| 3.2 Connector (item 3.2)* | 9. End cap* | |

*The full range of accessories and electronics is available at www.KlusDesign.eu

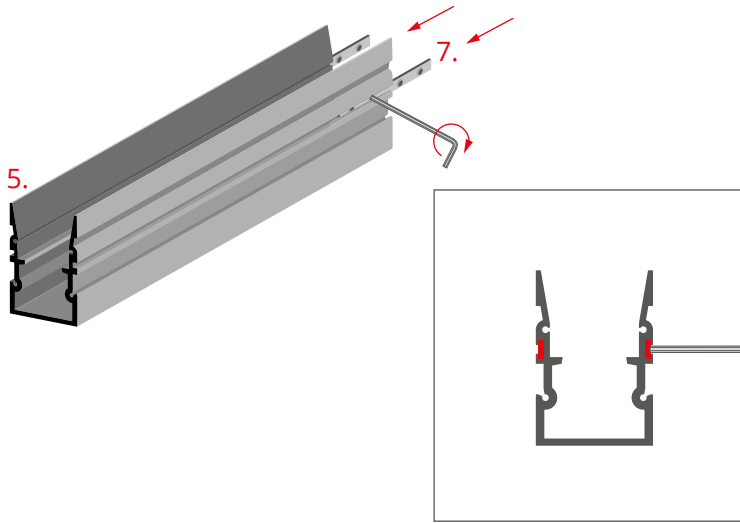
**Use a cable with circular insulation and an outer diameter of not less than 6 mm / 0.24" and not more than 9 mm / 0.35".

***The total length of HR-MAX-TW and HR-MAX-T profiles should be 6 mm / 0.24" longer than the length of the HR-MAX fixture.

NOTE! The fixture comes with a Z-type fastener. A damaged external flexible conductor in this fixture cannot be replaced. In the event of damage to the external flexible conductor, the fixture must be disposed. The light source of this fixture is not replaceable; when the light source is worn out, the entire lighting fixture must be replaced.

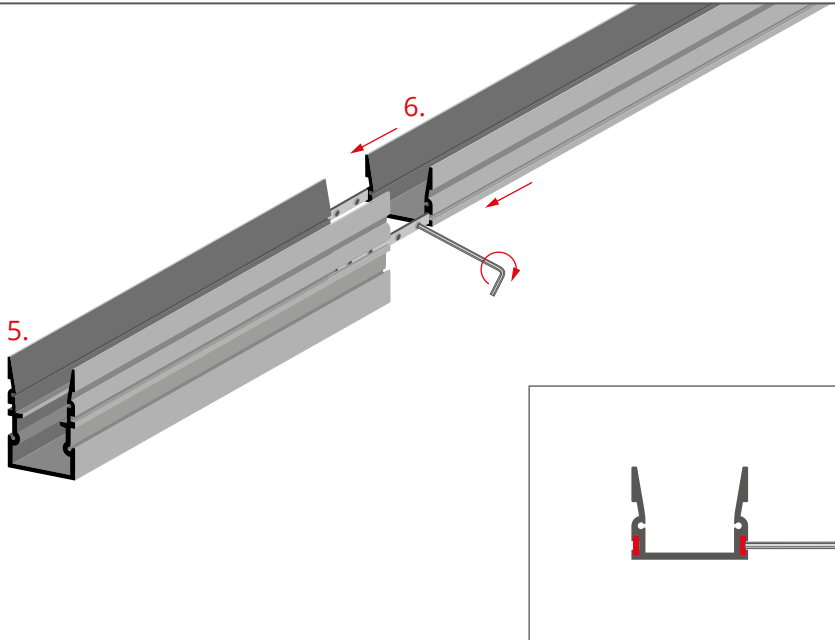
IMPORTANT: Not all possible mounting procedures are presented here. More mounting procedures and related accessories can be found at www.KlusDesign.eu. Drawings of profiles and accessories in these instructions are simplified and only approximate the actual shapes.

I



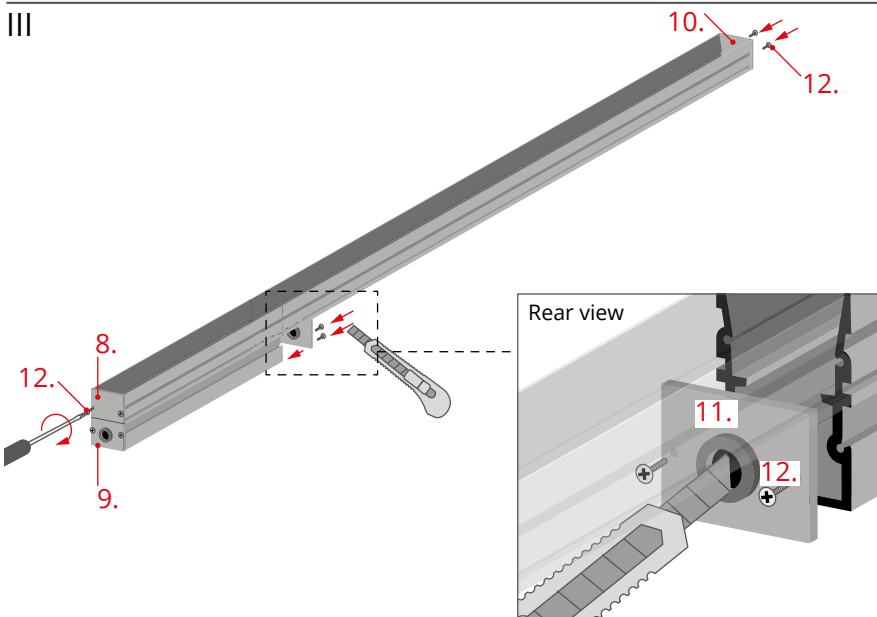
Place the ZM connectors (7) halfway in the HR-MAX-TW profile channels (5).

II



Use the ZM connectors to connect the HR-MAX-TW profile (5) with the HR-MAX-T profile (6).

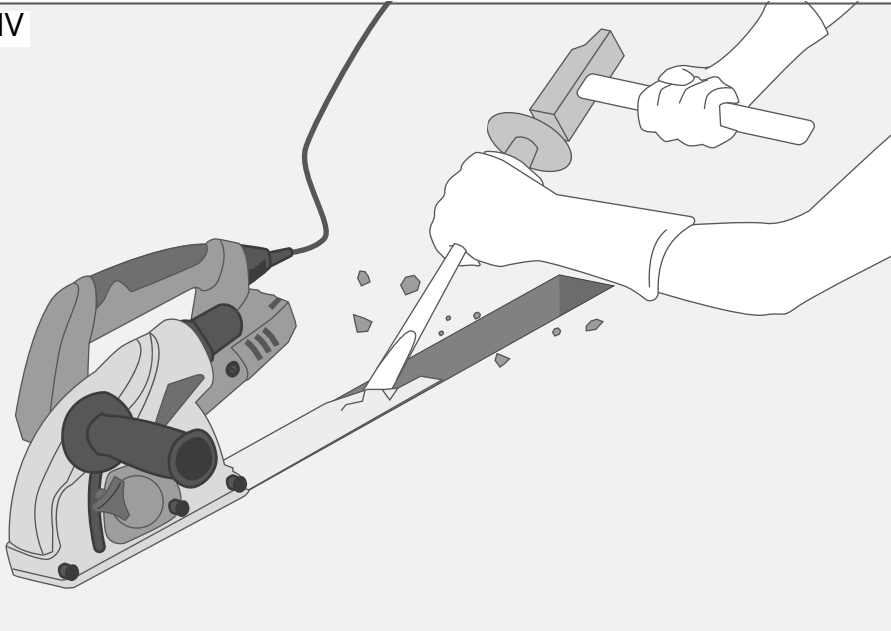
III



Use the screws (12) to fix the end caps (8, 9, 10, 11).

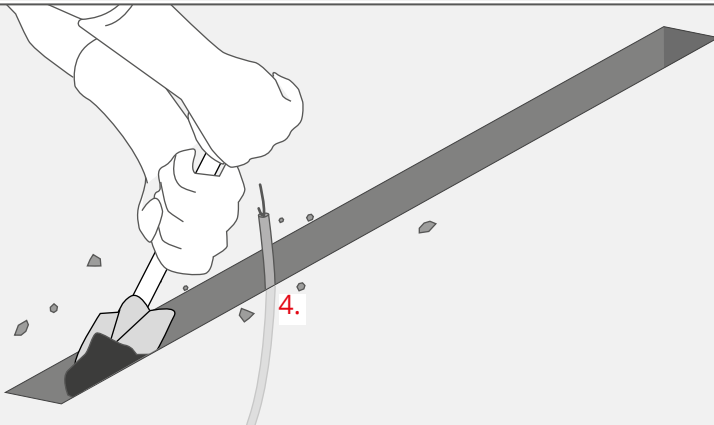
Cut a hole for the cable in the protective membrane of the end cap (11).

IV



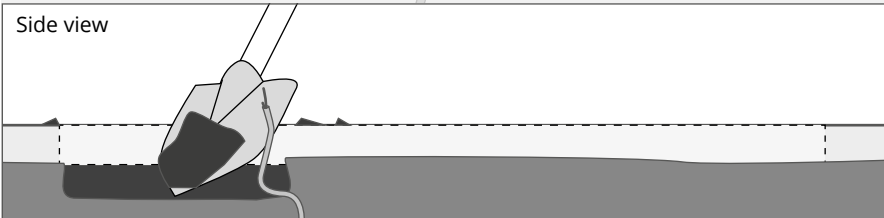
Cut a channel in the concrete base for the connected HR-MAX-TW and HR-MAX-T profiles.

V

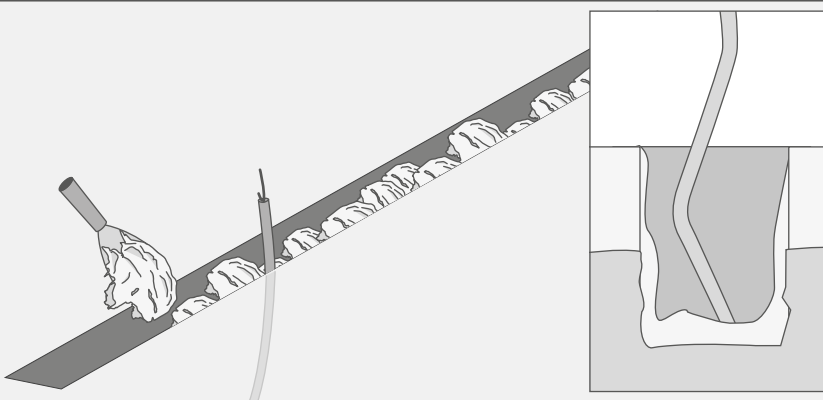


Create a recess for the HR-MAX-TW profile. In it, lead out the cable for the 12 V / 24 V power supply (4).

Side view

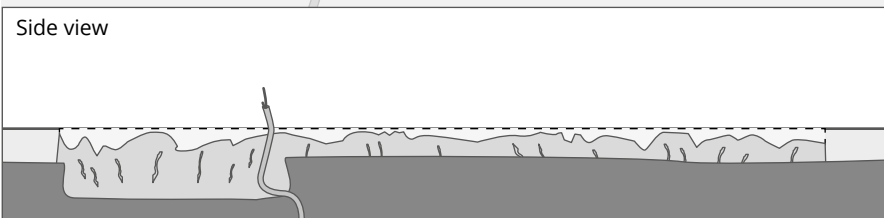


VI

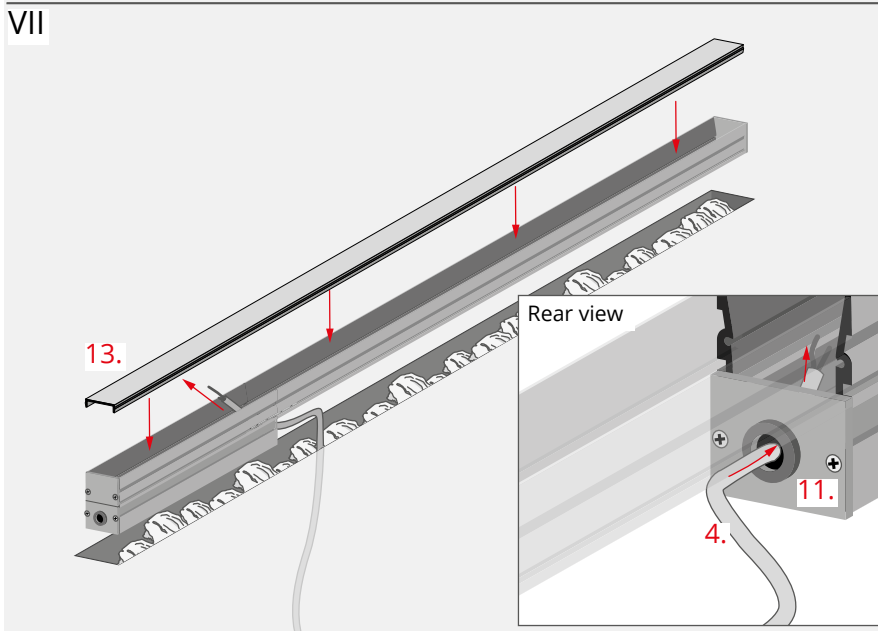


Apply a layer of grout to the walls and bottom of the channel.

Side view



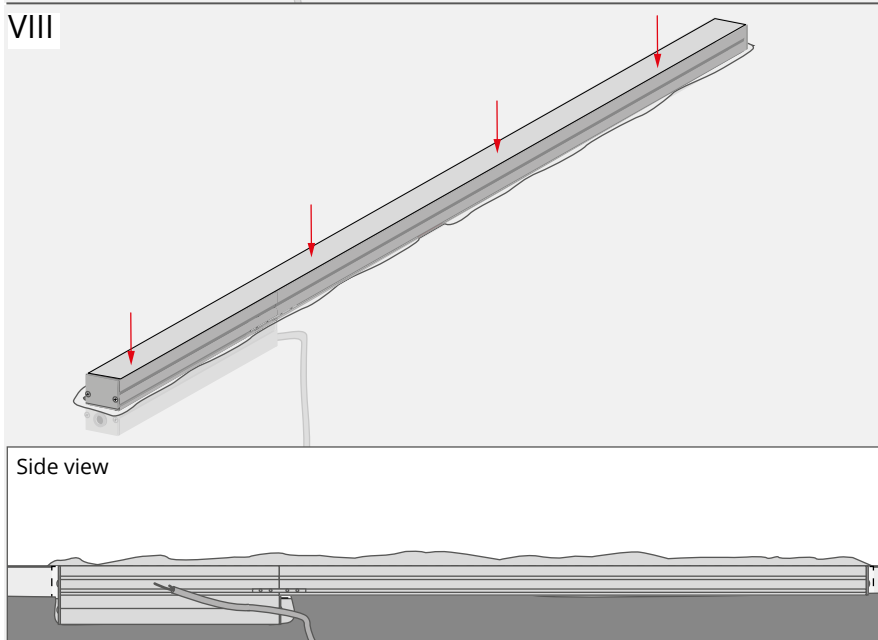
VII



Mount the protective insert (13) in the mounting track made of the combined HR-MAX-TW and HR-MAX-T profiles.

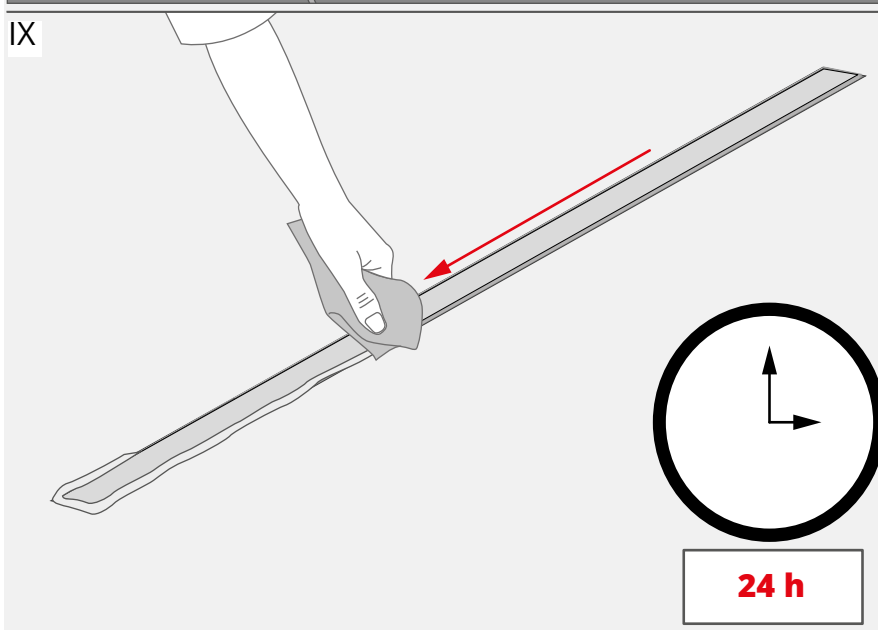
Pull the cable (4) through the hole in the end cap (11).

VIII

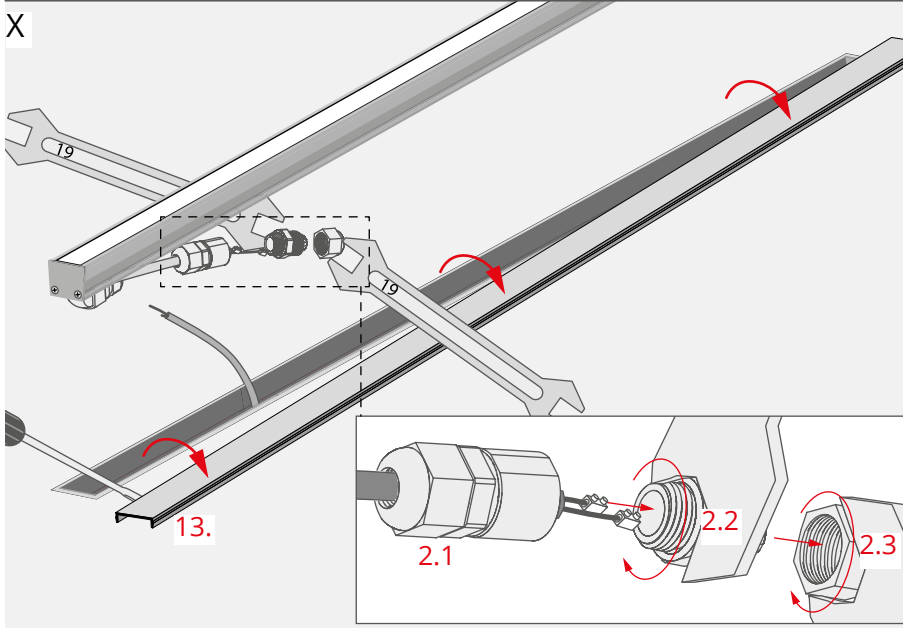


Insert the mounting track into the channel.

IX

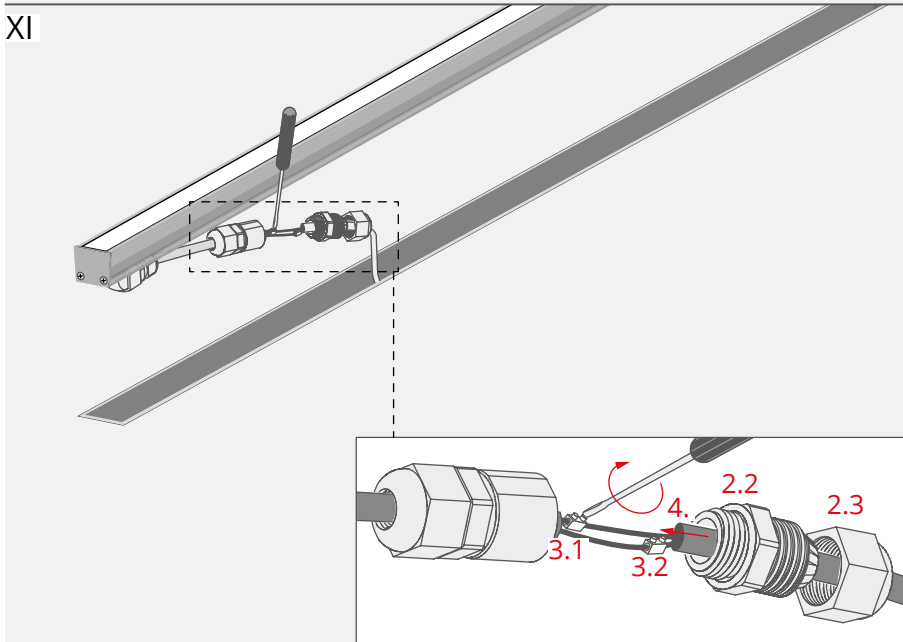


Remove the excess grout and wait 24 hours for the grout to dry.

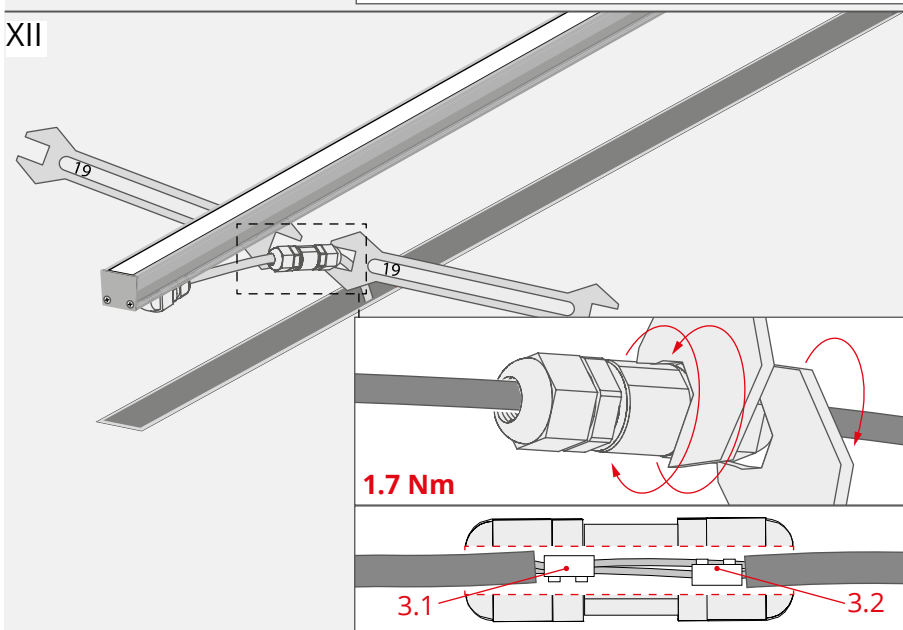


Remove the protective insert (13), by prying it out with a flat screwdriver.

Detach items (2.2, 2.3) of the hermetic coupler from item (2.1).



Lead the cable (4) through items (2.2, 2.3) of the hermetic coupler and attach it to the cable from the fixture, using both items (3.1, 3.2) of the connector.

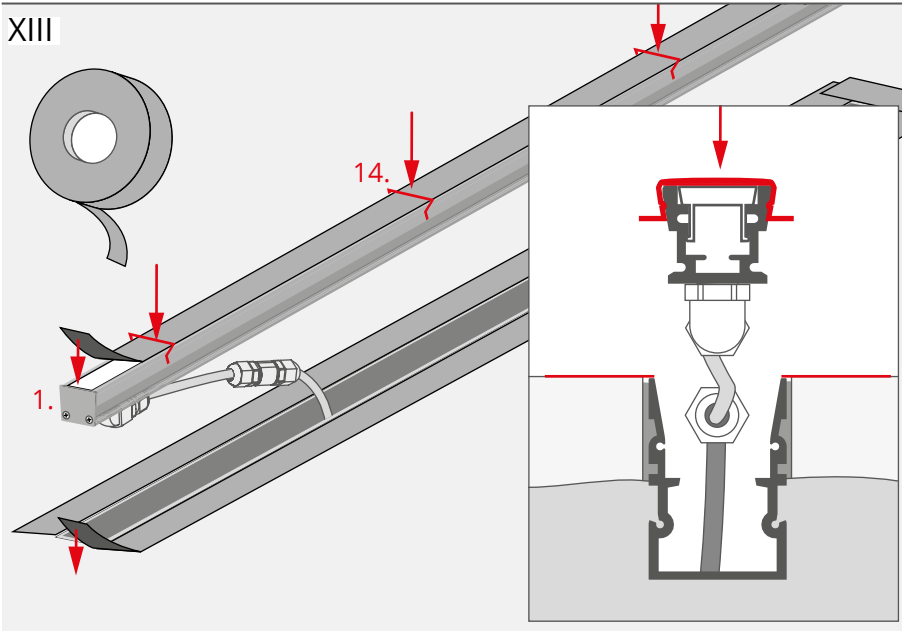


Tighten all the items of the coupler.

NOTE! When placing the cables inside the coupler, make sure that the two items of the coupler (3.1, 3.2) do not touch each other.

NOTE! The items of the coupler should be tightened with a torque of 1.7 Nm.

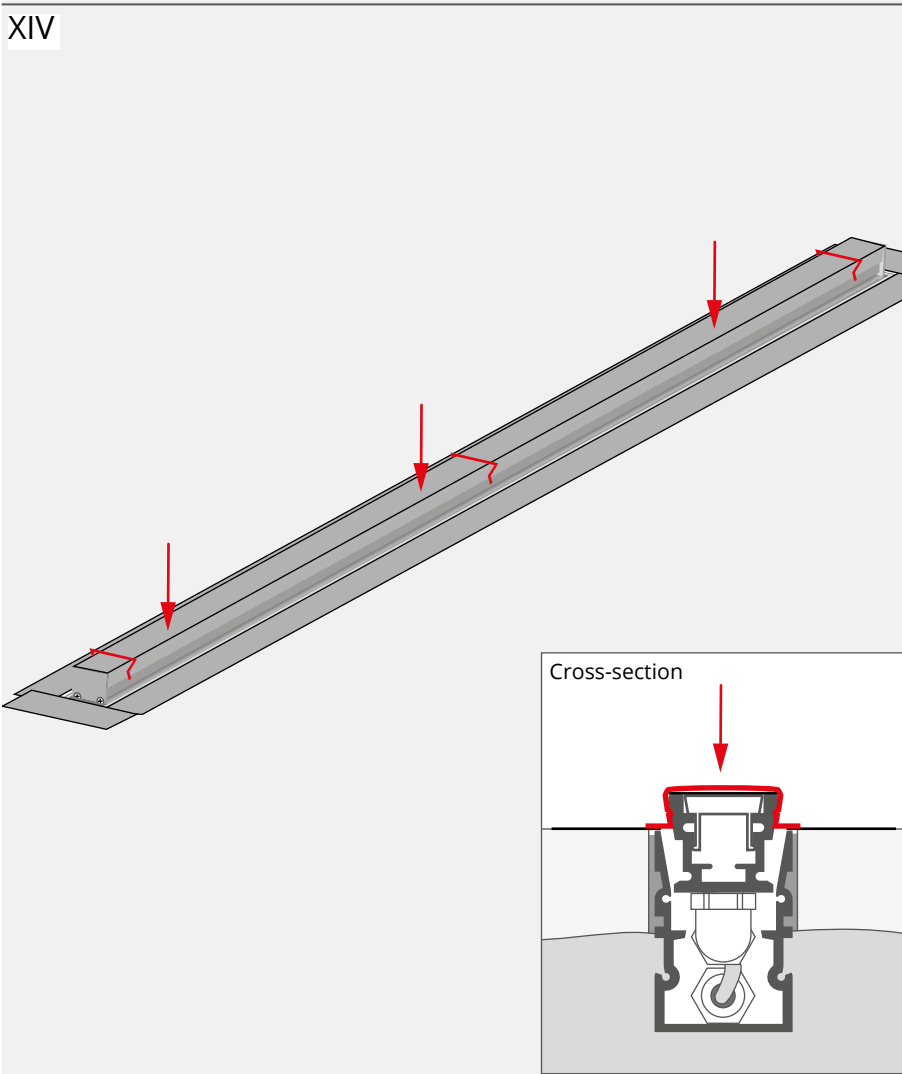
XIII



Secure the surface of the fixture and the edges of the mounting track with protective tape.

Attach the mounting clips (14) to the HR-MAX fixture (1).

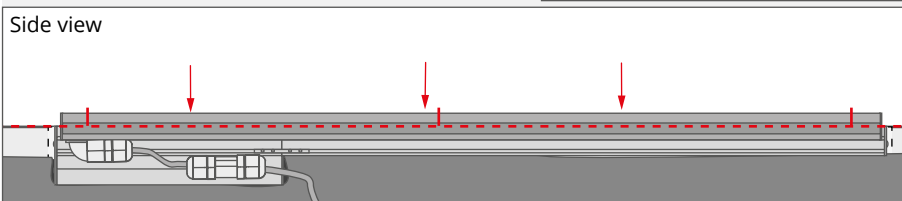
XIV



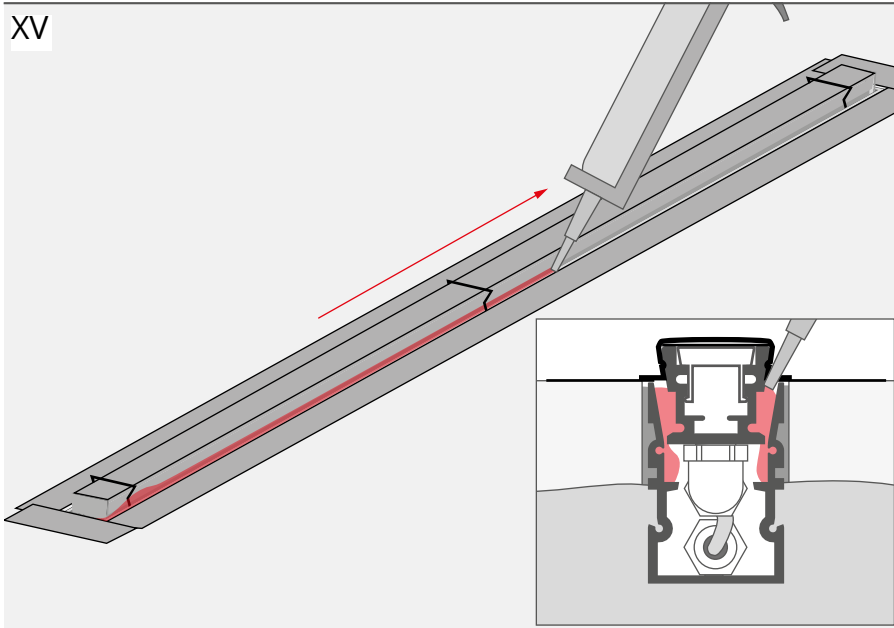
Insert the HR-MAX fixture together with the coupler and cable into the mounting track. The gland of the fixture and the coupler should be in the lower chamber of the HR-MAX-TW profile.

Mounting clips will protect the fixture against falling to the bottom of the mounting track before silicone is applied.

Side view

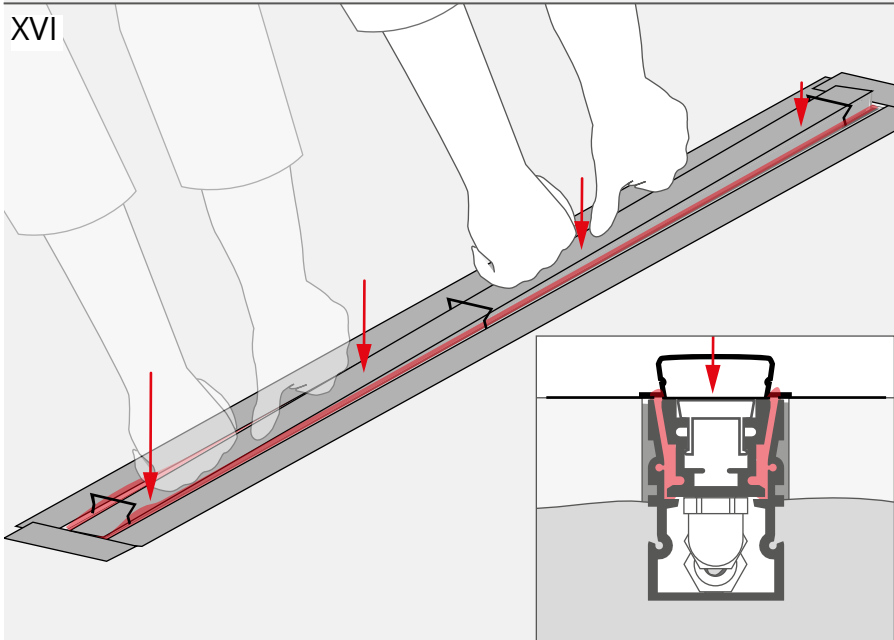


XV



Put a portion of silicone into the space between the lighting fixture and the mounting track.

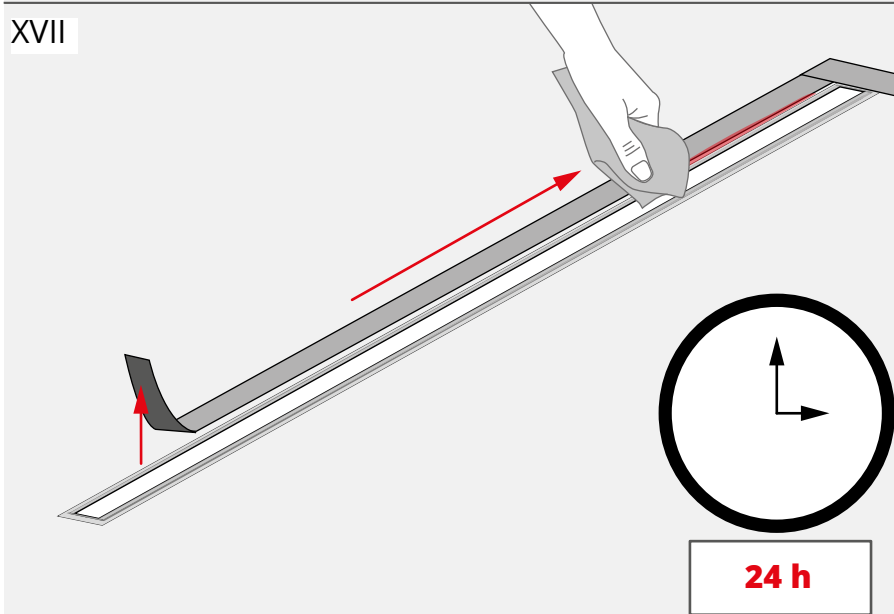
XVI



Press successive sections of the lighting fixture down, so that they reach the bottom of the mounting track.

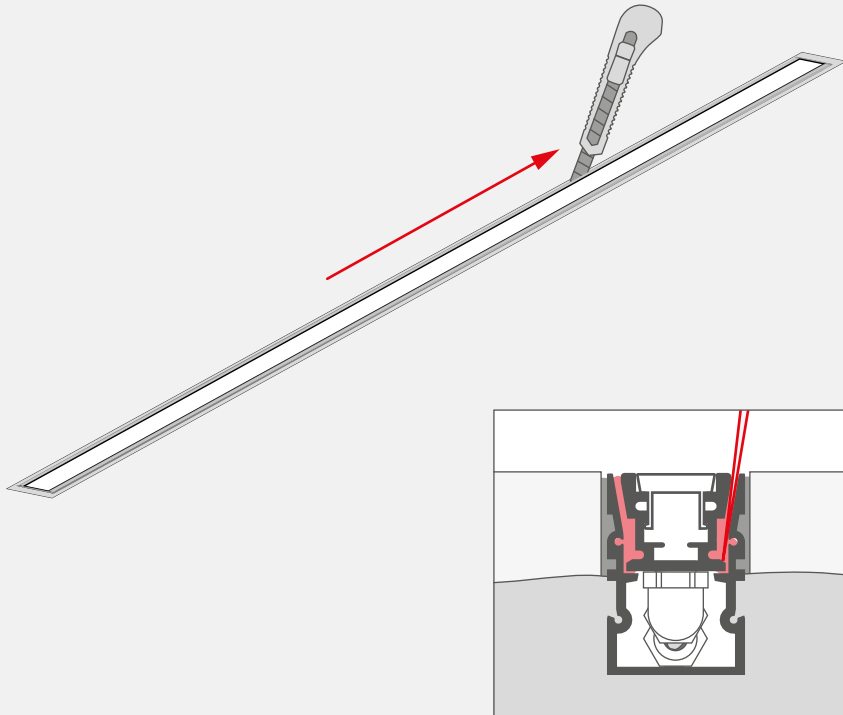
The mounting clips will automatically detach from the wall of the fixture.

XVII

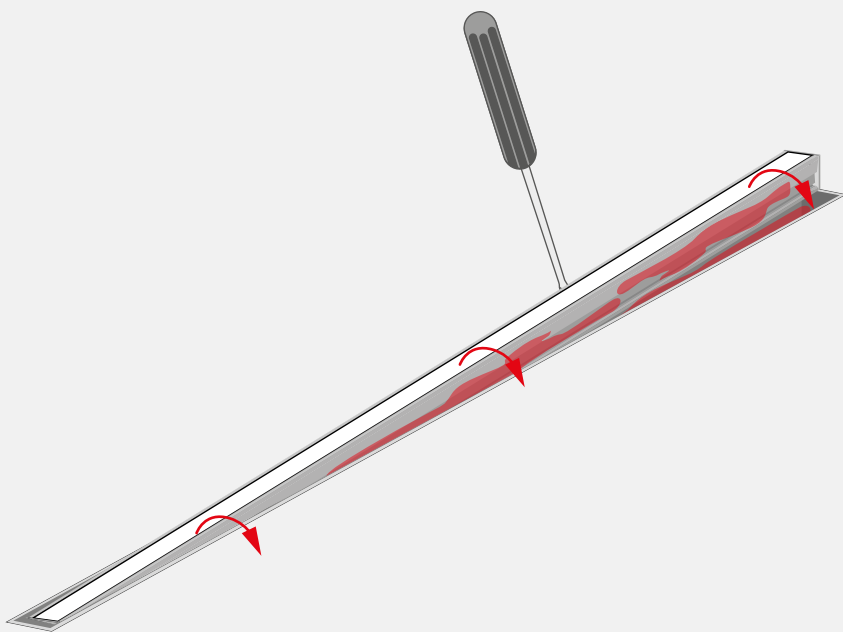


Remove excess silicone from the surface and remove the protective tape. Wait 24 hours for the silicone to dry.

SERVICE



To disassemble the lighting fixture, use a knife to cut the layer of silicone between the wall of the fixture and the mounting track.



Using e.g. a flat screwdriver, pry up the fixture and remove it from the track.