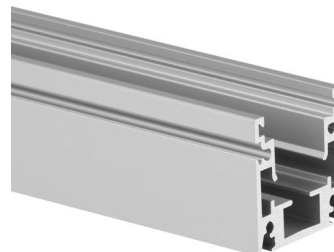


PRODUCT DESCRIPTION

- For installation on facades
- Designed for IP68 and IK10 protection ratings
- Corrosion resistance at high salinity
- Corresponds to the width of the HR-MAX facade system
- Adjustable lighting angle

FINISH :Non anodized (raw) Silver anodized 

*Custom colors available upon request



Fill empty fields

Product nr.

Fixture type

Company

Job name

Date

TECHNICAL SPECIFICATION**Application**

- decorative lighting

Mounting

- to the surface, using dedicated accessories
- the cover is cut to the length of the profile

Additional information

- possibility to fasten the lighting fixture with the back or side to the mounting surface
- possibility of smooth transition from a surface-mounted into a recessed fixture

Linia światła

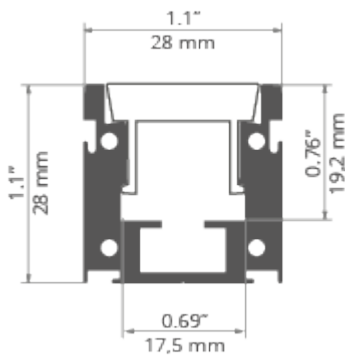
✓ = Linia światła

X = Widoczne punkty

| Profil: | Model LED: | HR-21 mleczna |
|---------|------------|---------------|
| HR-OPTI | | |
| | 1210 | ✓ |
| | 1220 | ✓ |
| | 1275 | ✓ |
| | 0530 | ✓ |

AVAILABLE LENGTHS

| Ref. nr. | surface finish | available lengths |
|--------------|--------------------|-------------------|
| C1844ANODA_1 | Silver anodized | 1000 mm |
| C1844ANODA_2 | Silver anodized | 2000 mm |
| C1844ANODA_3 | Silver anodized | 3000 mm |
| C1844NA_1 | Non anodized (raw) | 1000 mm |
| C1844NA_2 | Non anodized (raw) | 2000 mm |
| C1844NA_3 | Non anodized (raw) | 3000 mm |

TECHNICAL DRAWING

RELATED PRODUCTS

COVERS

SEMI-TRANSPARENT COVERS



HR-21 frosted
Cover
Ref: 17152

END CAPS

STEEL



HR-OPTI-STN End
cap
Ref: 24387

ACCESSORIES

FASTENERS & MOUNTING ACCESSORIES



HR-OPTI Mounting
bracket
Ref: 42121



HR-OPTI-A
Mounting bracket
Ref: _

SEALING COMPONENTS



Hermetic splitter
Ref: 42703



Hermetic coupler
Ref: 42702



M16 x 1.5 Gland
Ref: 00078



M16 x 1,5 - L90
Angular gland
Ref: 42289