

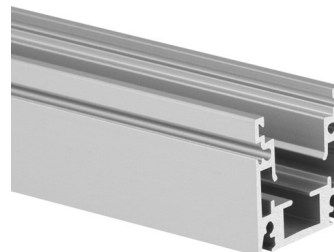
**PRODUCT DESCRIPTION**

- For installation on facades
- Designed for IP68 and IK10 protection ratings
- Corrosion resistance at high salinity
- Corresponds to the width of the HR-MAX facade system
- Adjustable lighting angle

**FINISH :**

Silver anodized

\*Custom colors available upon request



Fill empty fields

Product nr.

Fixture type

Company

Job name

Date

**TECHNICAL SPECIFICATION**

**Application**

- decorative lighting

**Mounting**

- to the surface, using dedicated accessories
- the cover is cut to the length of the profile

**Additional information**

- possibility to fasten the lighting fixture with the back or side to the mounting surface
- possibility of smooth transition from a surface-mounted into a recessed fixture

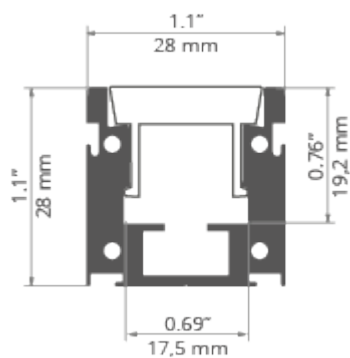
**Linia światła**

- ✓ = Linia światła
- X = Widoczne punkty

Profil:	Model LED:	HR-21 mleczna
HR-OPTI		
	1210	✓
	1220	✓
	1275	✓
	0530	✓
	1910	✓

**AVAILABLE LENGTHS**

Ref. nr.	surface finish	available lengths
C1844ANODA_1	Silver anodized	1000 mm
C1844ANODA_2	Silver anodized	2000 mm
C1844ANODA_3	Silver anodized	3000 mm

**TECHNICAL DRAWING**

## RELATED PROFILES



HR-OPTI System  
Ref: C1844 (HR-  
OPTI) + 42121

## RELATED PRODUCTS

### COVERS

#### SEMI-TRANSPARENT COVERS



HR-21 frosted  
Cover  
Ref: 17152

### END CAPS

#### STEEL



HR-OPTI-STN End  
cap  
Ref: 24387

### ACCESSORIES

#### FASTENERS & MOUNTING ACCESSORIES



HR-OPTI Mounting  
bracket  
Ref: 42121



HR-OPTI-A  
Mounting bracket  
Ref: \_

#### SEALING COMPONENTS



Hermetic splitter  
Ref: 42703



Hermetic coupler  
Ref: 42702



M16 x 1.5 Gland  
Ref: 00078



M16 x 1,5 - L90  
Angular gland  
Ref: 42289