

1. FOLED-50 profile (ref. C3632)

**Suggested accessories:**

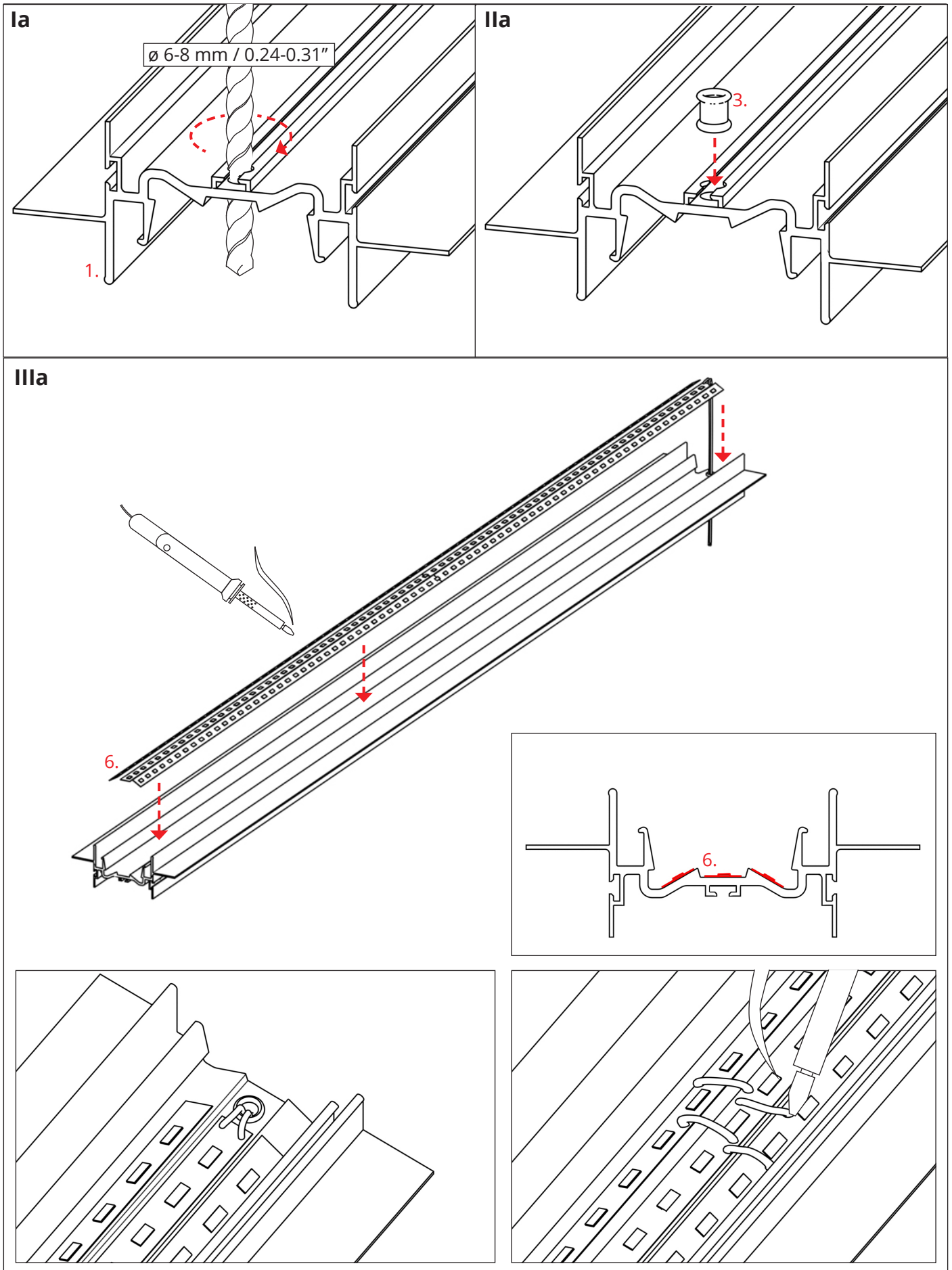
- 2. FOLHAK profile (ref. B8338)
- 3. Gland
- 4. End cap
- 5.1 Final end cap (item 1)
- 5.2 Final end cap (item 2)
- 5.3 Final end cap (screw)
- 6. LED tape
- 7. Spring hanger
- 8. Cover

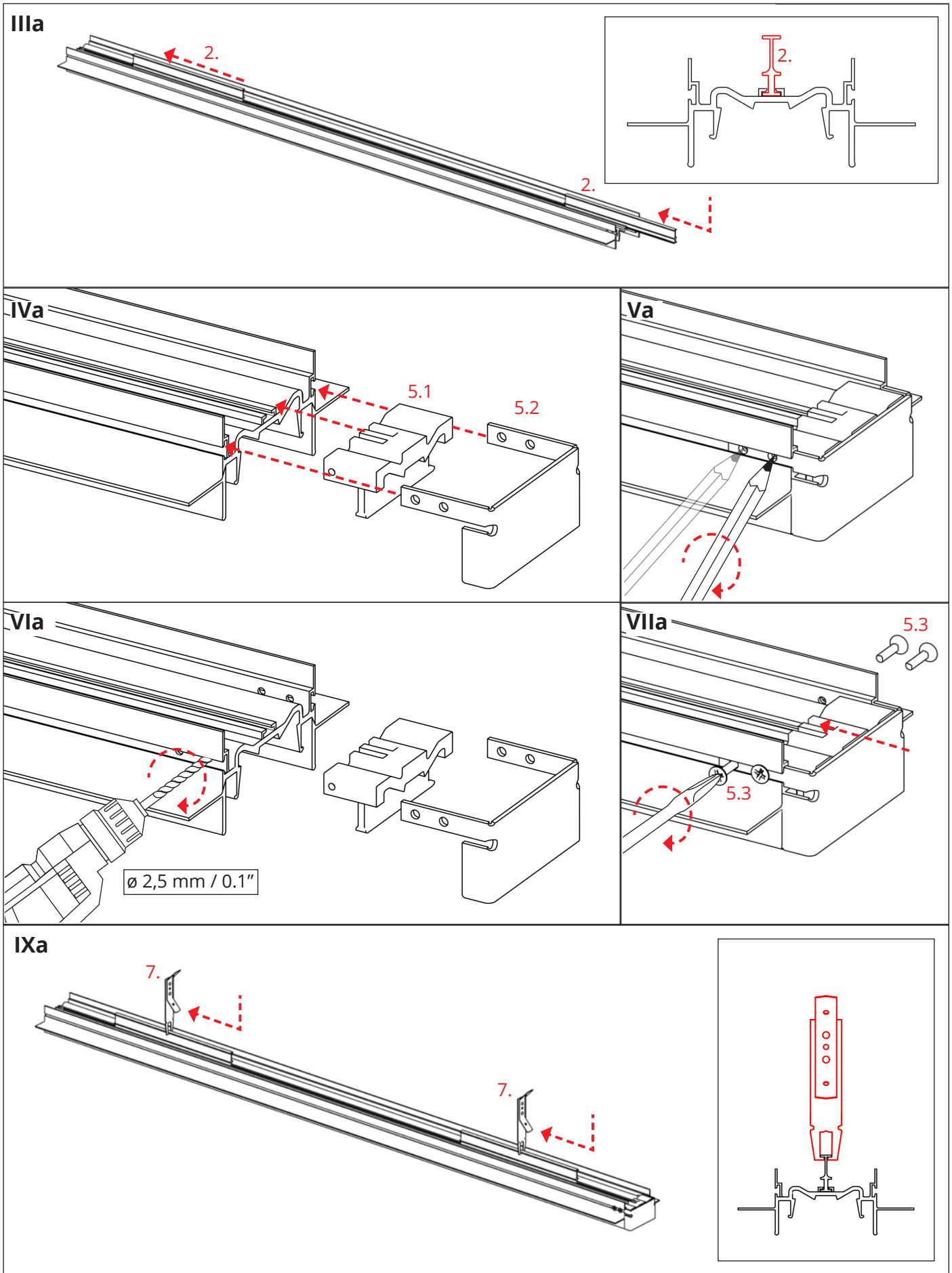
**Table of contents**

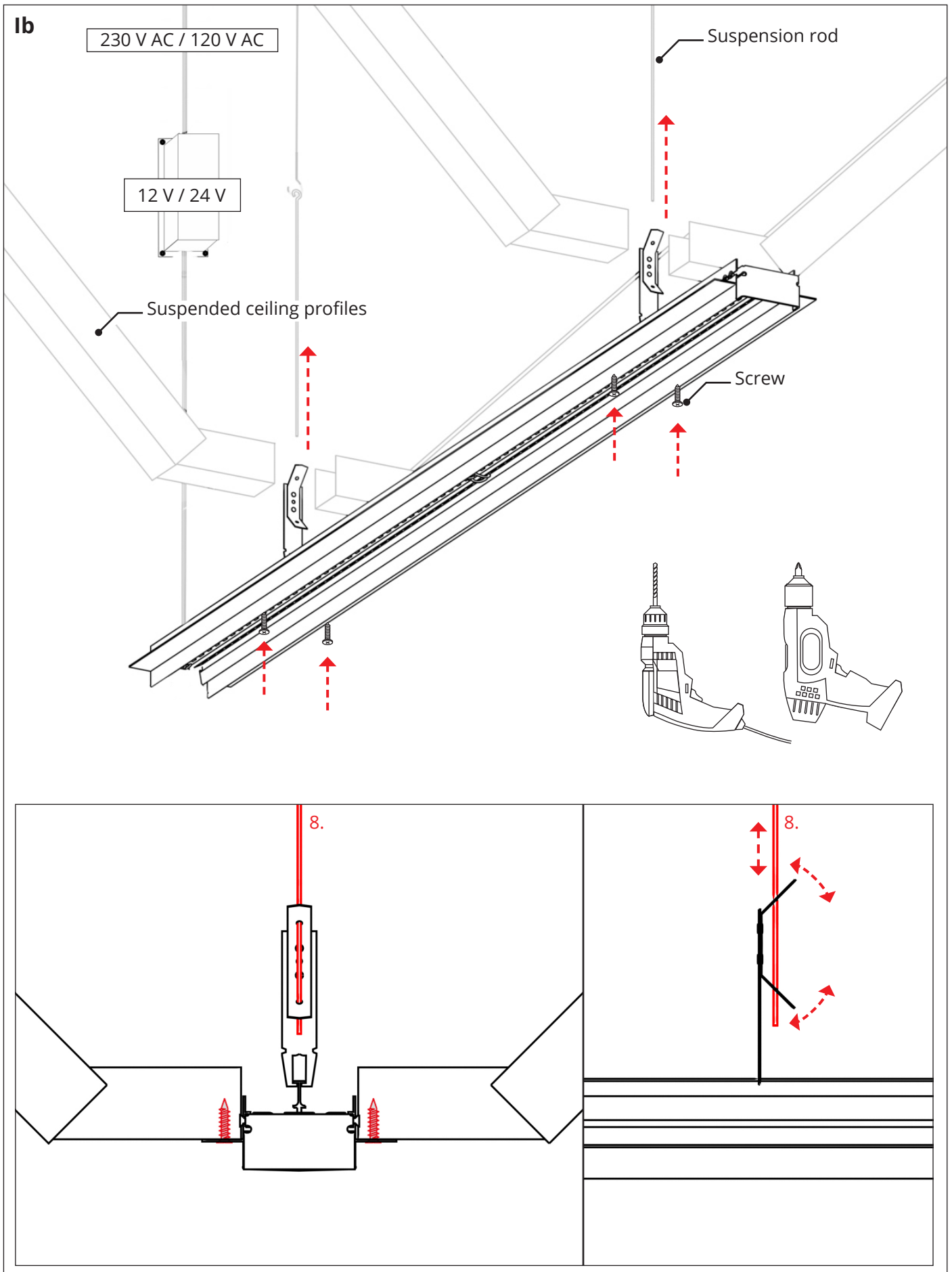
- a) Fixture assembly - p. 2
- b) Fixture suspension - p. 4
- c) (optional) Mounting the fixture to drywall panel - p. 5
- d) Installation of a stretch ceiling and cover - p. 6

**NOTE!** All LED tapes must be connected to a 12 V or 24 V power supply.

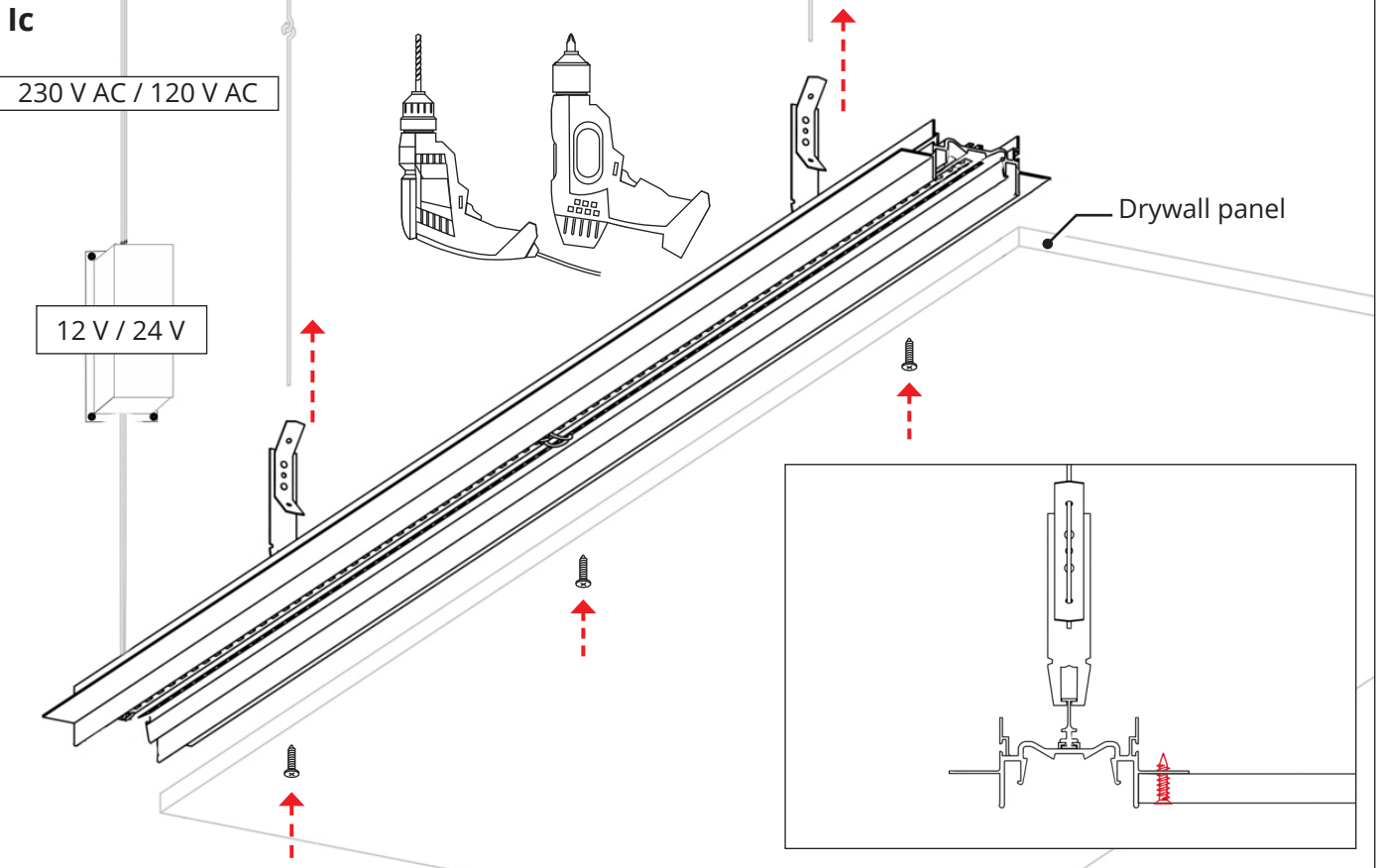
**IMPORTANT:** Not all possible mounting procedures are presented here. More mounting procedures and related accessories can be found at [www.KlusDesign.eu](http://www.KlusDesign.eu). Drawings in these instructions are simplified and only approximate the actual shapes.



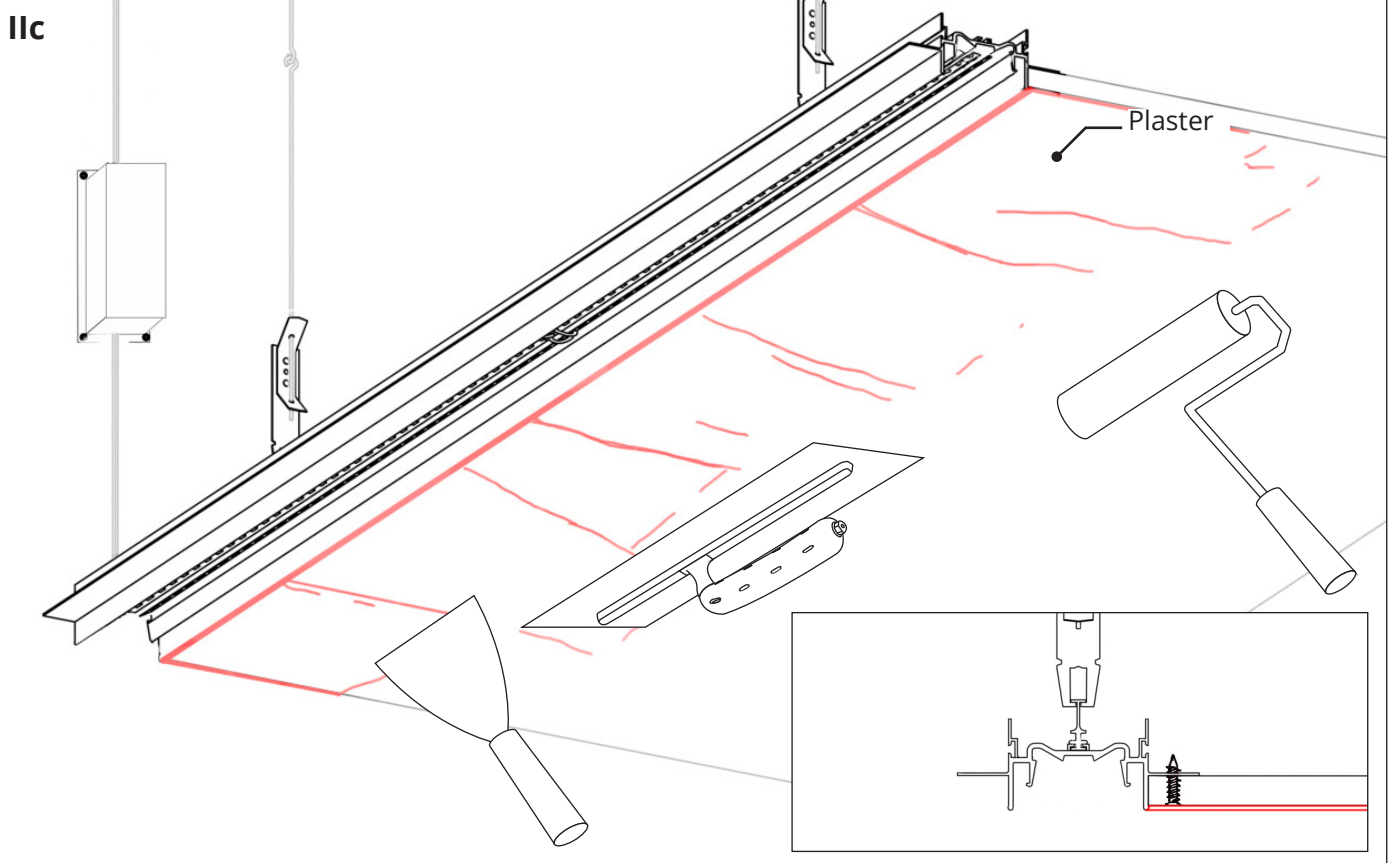


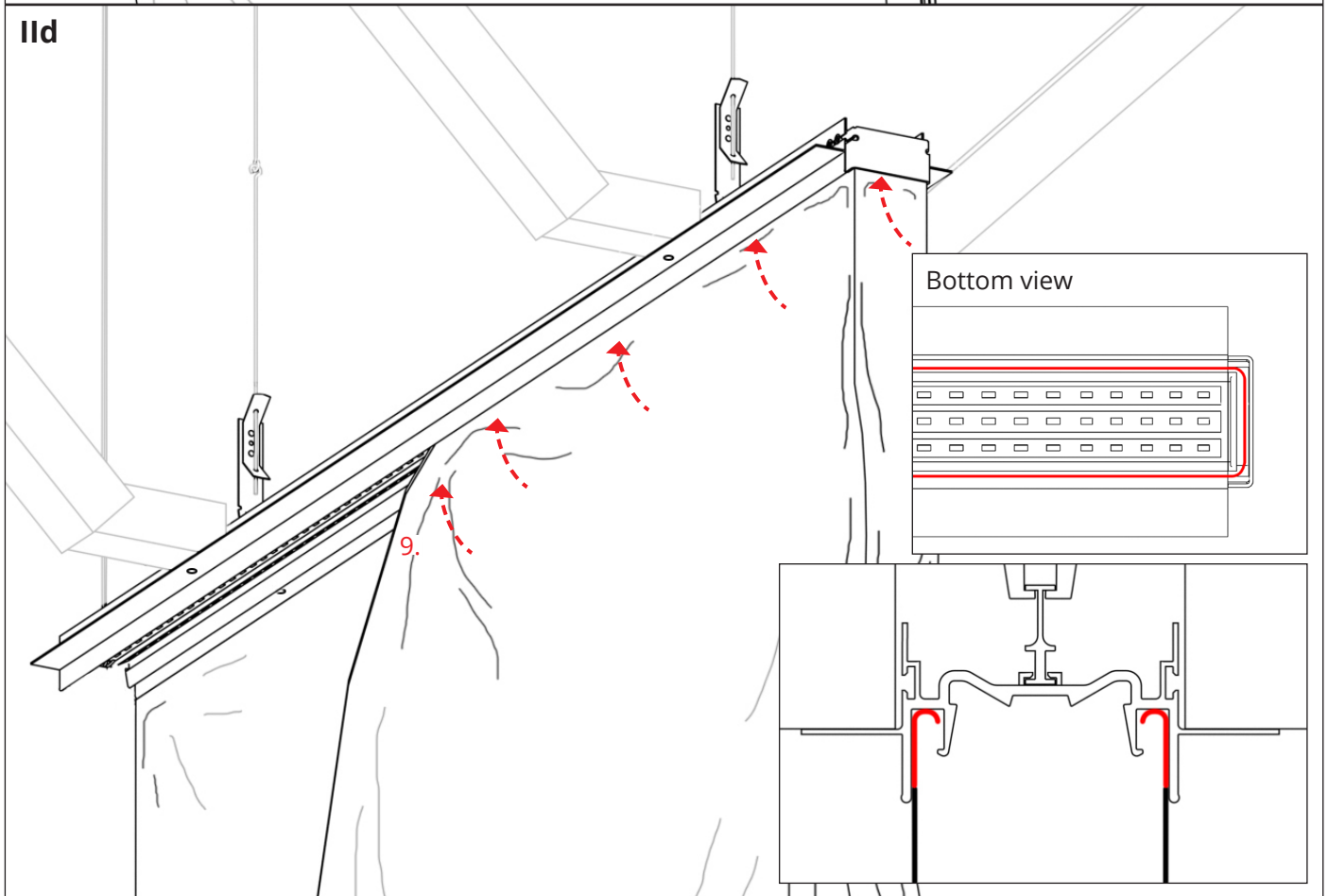
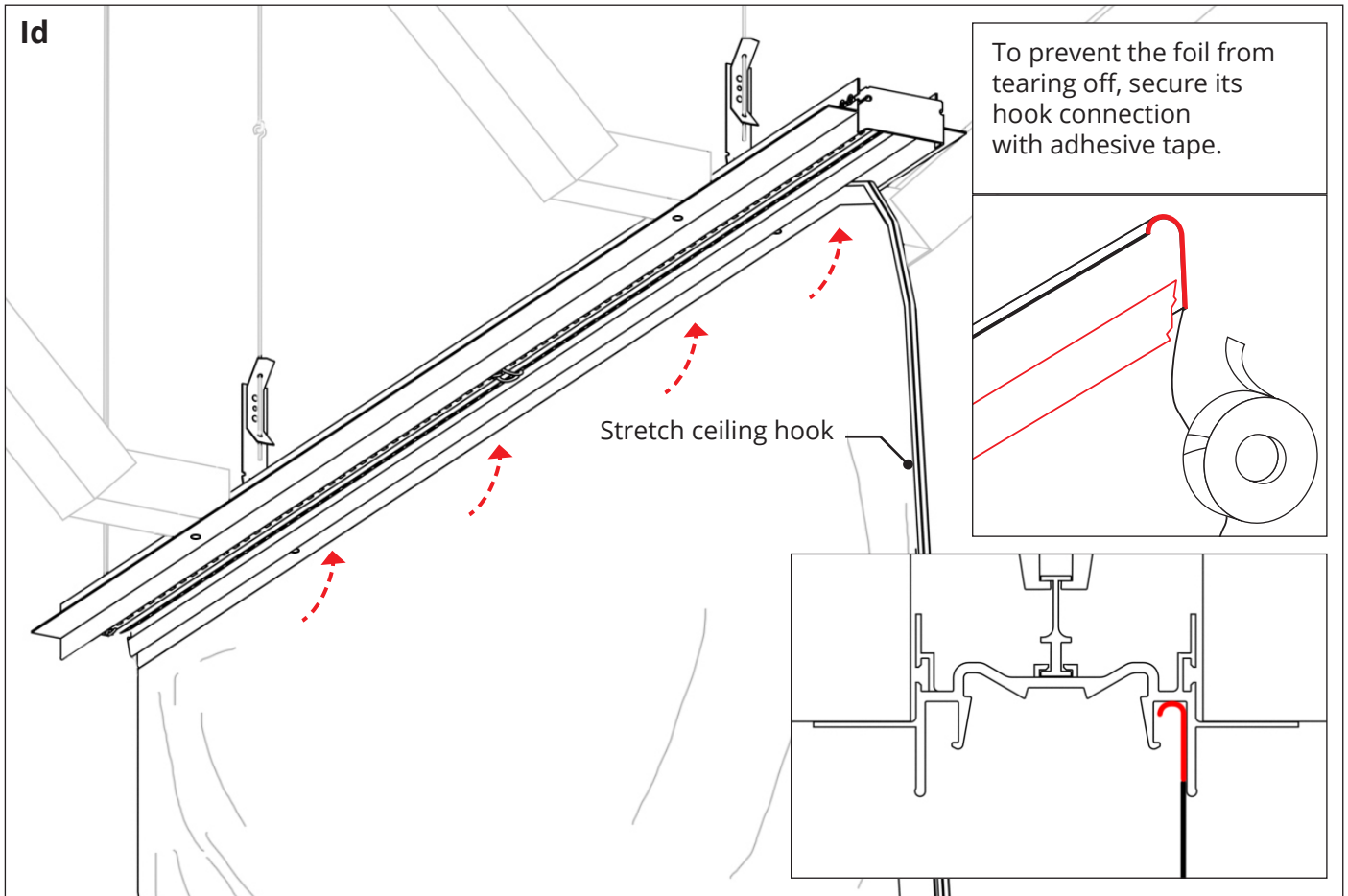


**Optional**

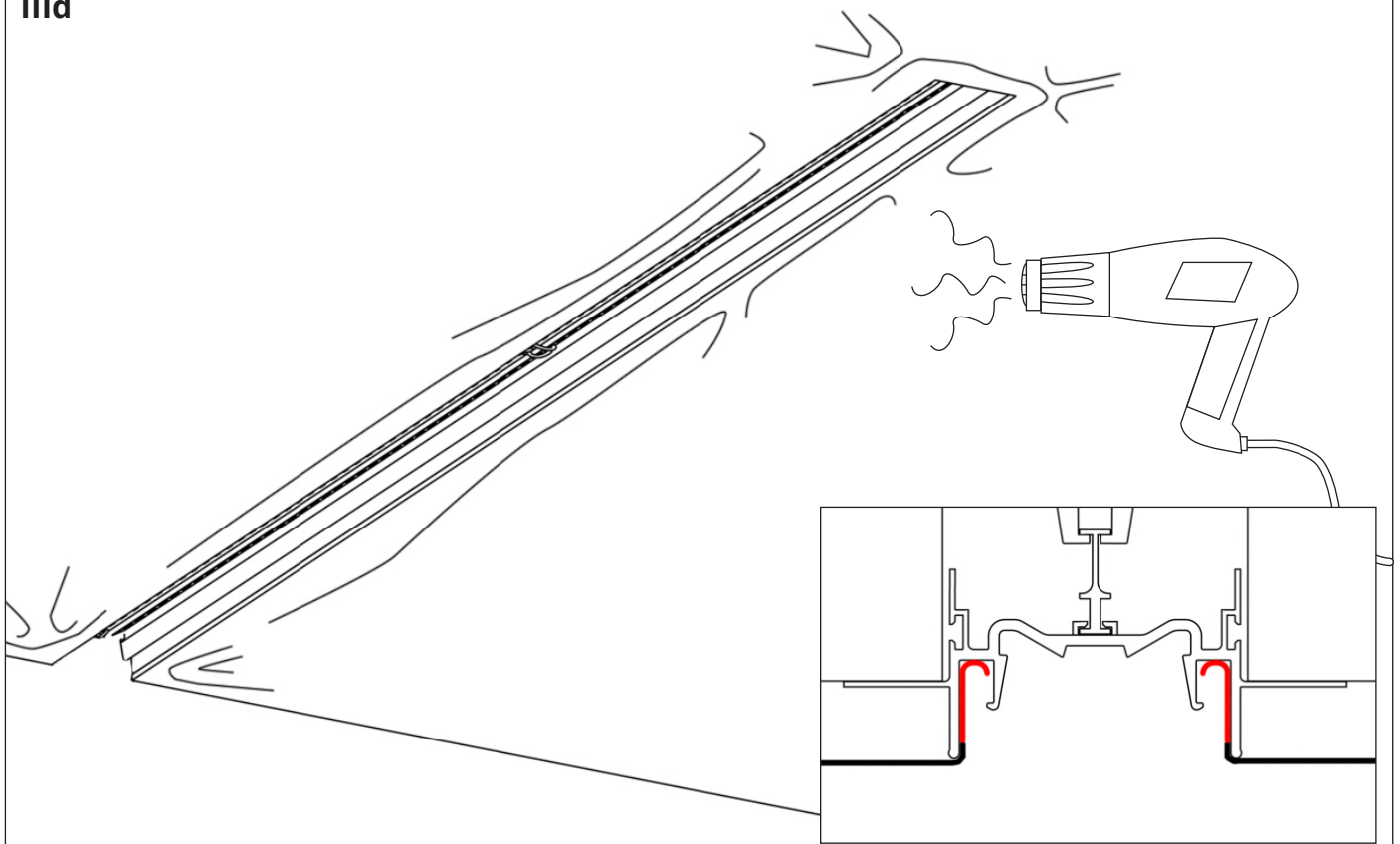


**Optional**





III d



IV d

