

## PRODUCT DESCRIPTION

- High resistance to damage
- Will not corrode
- Simple assembly
- Aesthetically finishing the extrusion
- Has a socket for one pole of electricity

Fill empty fields



Product nr.

Fixture type

Company

Job name

Date

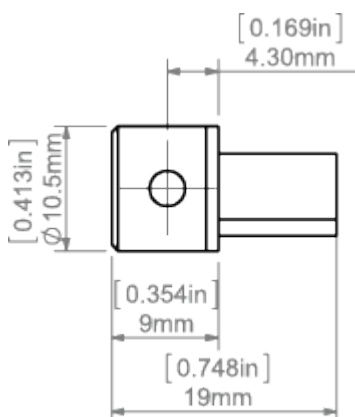
## TECHNICAL SPECIFICATION

### Additional information

The PIKO-O conductive end cap is designed for single-pole conductivity. The maximum forward current for the PIKO-O conductive end cap is 2 A.

Material	ABS, metal components
Colour	steel

## TECHNICAL DRAWING



RELATED PROFILES



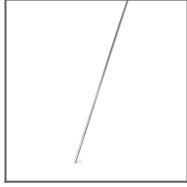
PIKO-O Profile  
Ref: C1167

RELATED PRODUCTS

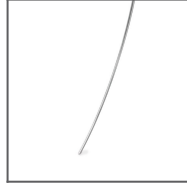
ACCESSORIES



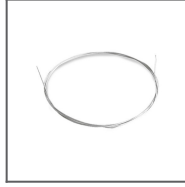
100 PUSZ brass  
chrome Rod 1 m  
Ref: 42518



Brass chrome FI-3  
Rod 1m  
Ref: 42501



Steel FI-3 Rod 53  
cm  
Ref: 1528



Steel cable with  
Cu FI 0.95 mm  
core  
Ref: 70240



Steel wire FI-1 1m  
Ref: 1397